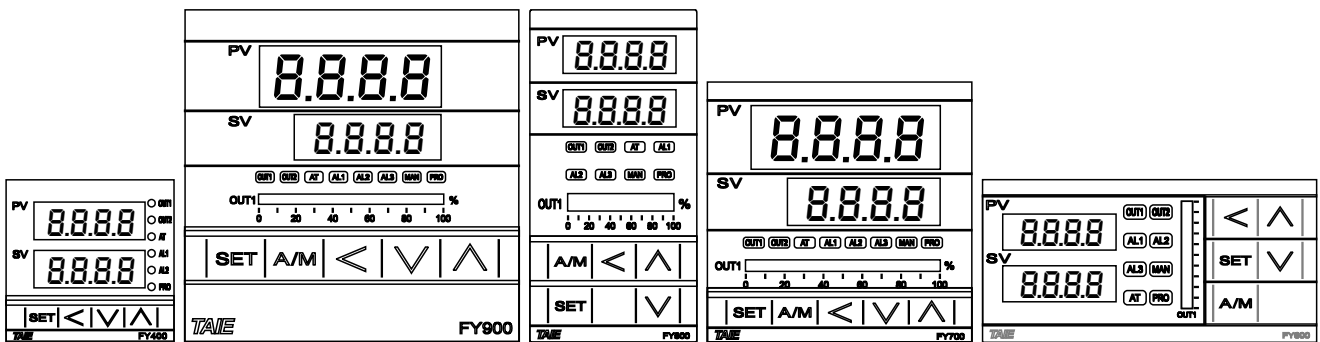

Digital Temperature Controller
FY400/600/700/800/900
FA230/231

Operation Manual



Content

1. Notice	4
2. Order Information	5
2.1 FY Order Information	5
2.2 FA Order Information	5
3. Specifications	6
3.1 FY Specifications	6
3.2 FA Specifications	7
4. Input Range Table	8
5. Packing List & Label Information	8
5.1 Packing List Guide	8
5.2 Label Guide	9
5.2.1 FY400	9
5.2.2 FY700	9
5.2.3 FY600/800/900	10
5.2.4 FA230	10
5.2.5 FA231	11
6. Parts Description	12
6.1 FY Series	12
6.2 FA Series	13
7. Installation	14
7.1 FY400 Dimensions	14
7.2 FY600 Dimensions	14
7.3 FY700 Dimensions	14
7.4 FY800 Dimensions	15
7.5 FY900 Dimensions	15
7.6 FA230/231 Dimensions	16
8. Terminal Arrangement	17
8.1 FY400 Terminal Arrangement	17
8.2 FY600 Terminal Arrangement	18
8.3 FY700 Terminal Arrangement	19
8.4 FY800 Terminal Arrangement	20
8.5 FY900 Terminal Arrangement	21
8.6 FA230 Terminal Arrangement	22
8.7 FA231 Terminal Arrangement	23
9. Basic Function Setting	24
9.1 Changing Input Type	24
9.2 SV Setting	24
9.3 Setting PID Values Automatically(Autotuning)	24
9.4 Setting PID Values Manually	24
9.5 Controlling With ON/OFF Action	25
9.6 Alarm Mode Setting	25

9.7	Alarm Value Setting	25
9.8	Controlling With Manual Control	26
10.	Flow Chart of Parameter Setting.....	26
10.1	Level Operation Mode	26
10.2	Level Operation Diagram	27
10.3	Data Lock Function	27
10.4	Level 1 (User Level) All Parameters Display.....	28
10.5	LEVEL_1 Parameter	29
10.6	Level 2 (PID Level) All Parameters Display	30
10.7	LEVEL_2 Parameter	31
10.8	Level 3 (Input Level) All Parameters Display	32
10.9	LEVEL_3 Parameter	32
10.10	Level 4 (Setting Level) All Parameters Display	35
10.11	LEVEL_4 Parameter.....	35
10.12	Parameters Hide/Display Table on Level 4	36
10.13	Fast Level All Parameters Display	38
10.14	Fast Level Parameter	38
11.	Functional Descriptions	40
11.1	PV bias	40
11.2	Retransmission	41
11.3	Remote SV	42
11.4	Heater Break Alarm	43
11.5	Dehumidification Function	45
11.6	Motor Valve Control	46
11.7	RAMP & SOAK.....	48
11.8	Proportional Control.....	51
11.9	Master-Slave communication	52
11.10	Piece Linear Compensation	53
12.	Alarm Action	55
12.1	Alarm Mode	56
12.2	Alarm Special Setting	58
12.3	Alarm Example	58
13.	Programmable.....	59
13.1	Parameter.....	59
13.2	Key Operation Description	60
13.3	Program Initial Setting	61
13.4	Create Program.....	62
13.5	Program Execution Flow	64
13.6	Program Setting Example	64
14.	Modification of Output Module	65
14.1	Relay Control (1a)	65
14.2	Relay Control (1c)	65
14.3	SSR Control.....	65

14.4	Linear Control	65
14.5	Output Calibration Proccedure Diagram	66
14.6	Output Calibration Steps	67
15.	Modification of Input Signal	68
15.1	Input modify to thermocouple	68
15.2	Input modify to RTD	69
15.3	Input modify to Linear (4~20mA).....	70
15.4	Steps For Linear Input Calibration	71
16.	Zero / Phase Control	72
16.1	1 ϕ Zero Cross Control (SCR module)	72
16.2	1 ϕ Zero Cross Control (TRIAC module).....	72
16.3	3 ϕ Zero Cross Control (SCR module)	73
16.4	3 ϕ Zero Cross Control (TRIAC module).....	73
16.5	1 ϕ Phase Angle Control (SCR module).....	74
16.6	1 ϕ Phase Angle Control (TRIAC module)	74
17.	Troubleshooting.....	75
18.	FY Communication Register Address Table	76
19.	Program Design Table.....	77
20.	Glossary of Characters Used In This Manual	79

1. Notice



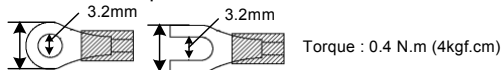
Warning

1. Beware of Electric Shock!
2. Once controller is activated, do not touch AC power wiring terminals to avoid electric shock!
3. First to confirm power is OFF, before working on the wiring of controller power supply!
4. Before using this product, please read through this operating manual thoroughly to understand the correct usage based on the fundamentals of its content.
5. This product can be used in industrial equipment, working terminal, measurement equipment, but not in life-saving-related medical equipment.
6. In order to ensure safety even if the temperature controller fails, please set up another alarm system or safety redundancy.



Caution

1. Before the controller transmits power, make sure that the position of the AC power assembly leg is correct. Otherwise, the controller may be seriously damaged after power transmission is initiated.
2. Before powering on, please confirm whether the power supply voltage is in accordance with the controller's specification (AC 85~265V or DC 24V.) Otherwise, the controller may be seriously damaged after power transmission is initiated.
3. Check if the wiring is connected to the terminal for the correct terminals (Input, Output.)
4. Please use crimp terminals suitable for M3 screws, as shown below:



5. Do not install the controller in places subject to high-frequency interference, corrosive gases, and high temperature and humidity (normal working environment: 0 ~ 50°C, 20 ~ 90% RH.)
6. To avoid noise interference, please keep the sensor wiring away from the power cord and the loading power cord.
7. When the thermocouple lead is extended, please use the compensation lead of the corresponding type to this thermocouple.
8. When the RTD lead wire is extended, please use those with lower resistance value. Please use the same wire between the three Wires.

2. Order Information

2.1 FY Order Information

Model		Output 1	Output 2	Alarm	TRS	Remote	Communication	Input type	Power	Accessories
NFY900(Red/Green light) NFY901(Blue/White light) PNFY900(Program)		1	0	1	0	0	0	0 1	A	N
		0 None	0 None	0 None	0 None	0 None	0 None	See input Range type code	A AC 85~265V	N None
NFY400	48x48mm	1 Relay	1 Relay	1 1 Set	1 4~20mA	1 4~20mA	3 TTL	D DC 24V	T Terminal Cover	
NFY600	96x48mm	2 Voltage Pulse (SSR Drive)	2 Voltage Pulse (SSR Drive)	2 2 Sets	2 0~20mA	2 0~20mA	B RS-485		W IP65	
NFY700	72x72mm	3 4~20mA	3 4~20mA	3 3 Sets	A 0~5V	A 0~5V			R Terminal Cover +IP65	
NFY800	48x96mm	4 0~20mA	4 0~20mA	B 0~10V	B 0~10V	B 0~10V				
NFY900	96x96mm	A 0~5V	A 0~5V	C 1~5V	C 1~5V	C 1~5V				
PNFY400 / 401 48x48mm PNFY600 96x48mm PNFY700 / 701 72x72mm PNFY800 / 801 48x96mm PNFY900 / 901 96x96mm		B 0~10V	B 0~10V	A HBA	D 2~10V	D 2~10V	M Motor valve control feedback			
		C 1~5V	C 1~5V	B HBA+AL2						
		D 2~10V	D 2~10V	C HBA+AL2+AL3						
		5 1φSCR zero cross control								
		6 3φSCR zero cross control								
		7 Motor valve control								
		8 1φSCR phase angle control								

※ Block means optional functions with additional charge
 ※ HBA : Heater Break Alarm(HBA must use AL1 as alarm relay)

※ Boxed-in items are optional functions, which shall incur extra charges.

2.2 FA Order Information

Model		Output 1	Output 2	Alarm	TRS	Remote	Communication	Input type	Power
FA230(plug-in-out terminal) FA231(fixed terminal)		1	0	1	0	0	0	0 1	A
		0 None	0 None	0 None	0 None	0 None	0 None	See input Range type code	A AC 85~265V
		1 Relay	1 Relay	1 1 Set	1 4~20mA	1 4~20mA	3 TTL	D DC 24V	
PFA230 PFA231		2 Voltage Pulse (SSR Drive)	2 Voltage Pulse (SSR Drive)	2 2 Set	2 0~20mA	2 0~20mA	B RS-485(FY)		
		3 4~20mA	3 4~20mA	A 0~5V	A 0~5V	A 0~5V			
		4 0~20mA	4 0~20mA	B 0~10V	B 0~10V	B 0~10V			
		A 0~5V	A 0~5V	C 1~5V	C 1~5V	C 1~5V			
		B 0~10V	B 0~10V	A HBA	D 2~10V	D 2~10V			
		C 1~5V	C 1~5V	B HBA+AL2					
		D 2~10V	D 2~10V						
		7 Motor valve control							

※ Block means optional functions with additional charge
 ※ HBA : Heater Break Alarm(HBA must use AL1 as alarm relay)

※ Boxed-in items are optional functions, which shall incur extra charges.

3. Specifications

3.1 FY Specifications

Model	FY400	FY600	FY700	FY800	FY900
Supply Voltage	AC 85 ~ 265V, DC 24V (Optional Functions)				
Power Frequency	50/60 Hz				
Power Consumption	Approximately 6VA				
Memory	Non-Volatile Memory EEPROM				
Sensor Input ※ Please refer to Input Range Table	Cold junction compensation diode external Accuracy : 0.1%				
	Cold junction compensation diode internal Accuracy : 0.3%				
	Sample time : 50ms				
	Thermalcouple : (K, J, R, S, B, E, N, T, W, PL II, L)				
	RTD: PT100 DC Linear Analog Input : 0~20mA, 4~20mA 0~1V, 0~5V, 0~10V, 0~2V, 1~5V, 2~10V 0~25mV, 0~50mV, 0~70mV				
Output	OUT1 Relay	1a	1c	1c	1c
		1a SPST-NO, 250 VAC, 5A (resistive load), electrical life: 100,000 operations 1c SPDT-NO, 250 VAC, 5A (resistive load), electrical life: 50,000 operations SPDT-NC, 250 VAC, 2A (resistive load), electrical life: 20,000 operations			
	OUT2 Relay	SPST-NO, 250 VAC, 5A (resistive load), electrical life: 100,000 operations			
	SSR Driver	ON: 24 V OFF: 0V max. load current: 20mA, with short circuit protection circuit			
	linear	4~20mA,0~20mA, 0~5V,0~10V, 1~5V,2~10V			
Control Method	ON-OFF or P, PI, PID control				
Alarm	Alarm 1	1a	1c	1a	1c
		1a SPST-NO, 250 VAC, 5A (resistive load), electrical life: 100,000 operations 1c SPDT-NO, 250 VAC, 5A (resistive load), electrical life: 50,000 operations SPDT-NC, 250 VAC, 2A (resistive load), electrical life: 20,000 operations			
	Alarm 2	SPST-NO, 250 VAC, 5A (resistive load), electrical life: 100,000 operations			
	Alarm 3	---	1a	1a	1a
		SPST-NO, 250 VAC, 5A (resistive load), electrical life: 100,000 operations			
TRS	Re-transmitted Signal	4~20mA, 0~20mA, 0~5V, 0~10V, 1~5V, 2~10V			
	Source of Re-transmission	SV, PV			
	Accuracy	0.1%			
	Resolution	14 bit			
Remote SV	Signal	4~20mA, 0~20mA, 0~5V, 0~10V, 1~5V, 2~10V			
	Resolution	18 bit			
	controlled by	SV			
Motor valve	Signal	1KΩ, 560Ω			
	Resolution	18 bit			
	Controlled by	PV2			
Communication	Interface	RS-485 Half duplex Communication MAX. 31 units, MAX. distance 1200 meters			
	Protocol	Modbus RTU , TAIE			
	Parity bit	NONE, ODD, EVEN			
	Data bit	8 bit			
	Stop bit	1 or 2 bit			
	Baud rate	2400,4800,9600,19200,38400,57600,115200 bps			
Operating Environment Temperature/Humidity	0 ~ 50°C (in the case of no freezing or condensatioin) / 20% ~ 90% RH				
Storage Environment Temperature	-25 ~ 65°C (in the case of no freezing or condensatioin)				
Dimension (mm)	W48 x H48 x D95	W96 x H48 x D95	W72 x H72 x D95	W48 x H96 x D95	W96 x H96 x D95
Weight	Appox.120g	Appox.170g	Appox.150g	Appox.170g	Appox.230g

3.2 FA Specifications

Model		FA231	FA230
Terminal		Fixed	Pluggable
Supply Voltage		AC 85 ~ 265V, DC 24V (Optional Functions)	
Power Frequency		50/60 Hz	
Power Consumption		Approximately 6VA	
Memory		Non-Volatile Memory EEPROM	
Sensor Input ※ Please refer to Input Range Table		Accuracy : 0.2%	
		Sample time : 50ms	
		Thermalcouple : (K, J, R, S, B, E, N, T, W, PL II, L)	
		RTD : PT100	
		DC Linear Analog Input : 0~20mA, 4~20Ma 0~1V, 0~5V, 0~10V, 0~2V, 1~5V, 2~10V 0~25mV, 0~50mV, 0~70mV	
Output		1a	1c
	OUT1 Relay	1a SPST-NO, 250 VAC, 5A (resistive load), electrical life: 100,000 operations 1c SPDT-NO, 250 VAC, 5A (resistive load), electrical life: 50,000 operations SPDT-NC, 250 VAC, 2A (resistive load), electrical life: 20,000 operations	
	OUT2 Relay	SPST-NO, 250 VAC, 5A (resistive load), electrical life: 100,000 operations	
	SSR Driver	ON: 24 V OFF: 0V max. load current: 20mA, with short circuit protection circuit	
	linear	4~20mA,0~20mA, 0~5V,0~10V, 1~5V,2~10V	
Control Method		ON-OFF or P, PI, PID control	
Alarm		1a	1c
	Alarm 1	1a SPST-NO, 250 VAC, 5A (resistive load), electrical life: 100,000 operations 1c SPDT-NO, 250 VAC, 5A (resistive load), electrical life: 50,000 operations SPDT-NC, 250 VAC, 2A (resistive load), electrical life: 20,000 operations	
	Alarm 2	SPST-NO, 250 VAC, 5A (resistive load), electrical life: 100,000 operations	
TRS	Re-transmitted Signal	4~20mA, 0~20mA, 0~5V, 0~10V, 1~5V, 2~10V	
	Source of Re-transmission	SV, PV	
	Accuracy	0.1%	
	Resolution	14 bit	
Remote SV	Signal	4~20mA, 0~20mA, 0~5V, 0~10V, 1~5V, 2~10V	
	Resolution	18 bit	
	controlled by	SV	
Communication	Interface	RS-485 Half duplex Communication MAX. 31 units, MAX. distance 1200 meters	
	Protocol	Modbus RTU , TAIE	
	Parity bit	NONE, ODD, EVEN	
	Data bit	8 bit	
	Stop bit	1 or 2 bit	
	Baud rate	2400,4800,9600,19200,38400,57600,115200 bps	
Operating Environment Temperature/Humidity		0 ~ 50°C (in the case of no freezing or condensatioin) / 20% ~ 90% RH	
Storage Environment Temperature		-25 ~ 65°C (in the case of no freezing or condensatioin)	
Dimension (mm)		W40 x H107 x D43	
Weight		Approx.115g	

4. Input Range Table

Types of input			Code	Range	
				°C	°F
Thermalcouple	K	K1	01	-50.0~600.0	-58.0~999.9
		K2	02	-50~1200	-58~2192
	J	J1	03	-50.0~400.0	-58.0~752.0
		J2	04	-50~1200	-58~2192
	R	R	05	-50~1760	-58~3200
	S	S	06	-50~1760	-58~3200
	B	B	07	-50~1820	-58~3308
	E	E	08	-50~900	-58~1652
	N	N	09	-50~1300	-58~2372
	T	T1	10	-199.9~400.0	-199.9~752.0
		T2	11	-199~400	-326~752
	W	W	12	-50~2320	-58~4208
	PL	PL	13	-50~1200	-58~2192
	L	L	14	-50~800	-58~1472
RTD	PT100	PT1	15	-199.9~850.0	-199.9~999.9
		PT2	16	-199~850	-326~1562
		PT3	17	0~850	32~1562
Linear	AN1	0~25mV	18	-1.999~9.999 -19.99~99.99 -199.9~999.9 -1999~9999	
	AN2	0~50mV	19		
		0~20mA	20		
		0~1V	21		
		0~2V	22		
		0~5V	23		
		0~10V	24		
	AN3	0~70mV	25		
	AN4	4~20mA	26		
		10~50mV	27		
		1~5V	28		
		2~10V	29		

5. Packing List & Label Information

5.1 Packing List Guide

FY400/600/700/800/900

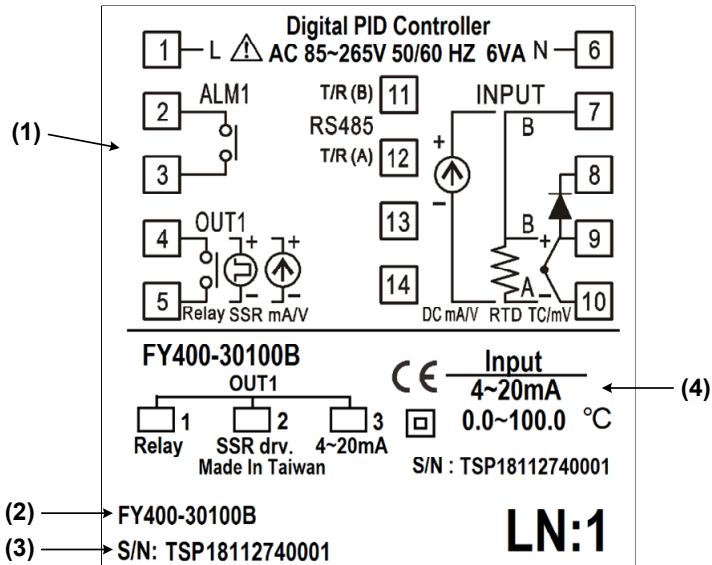
- | |
|--|
| <ol style="list-style-type: none"> 1. Temperature Controller...1 unit 2. Mounting frame.....2 units 3. Brief manual.....1 pcs |
|--|

FA230/231

- | |
|--|
| <ol style="list-style-type: none"> 1. Temperature Controller...1 unit 2. Terminal cover.....2 units 3. Brief manual.....1 pcs |
|--|

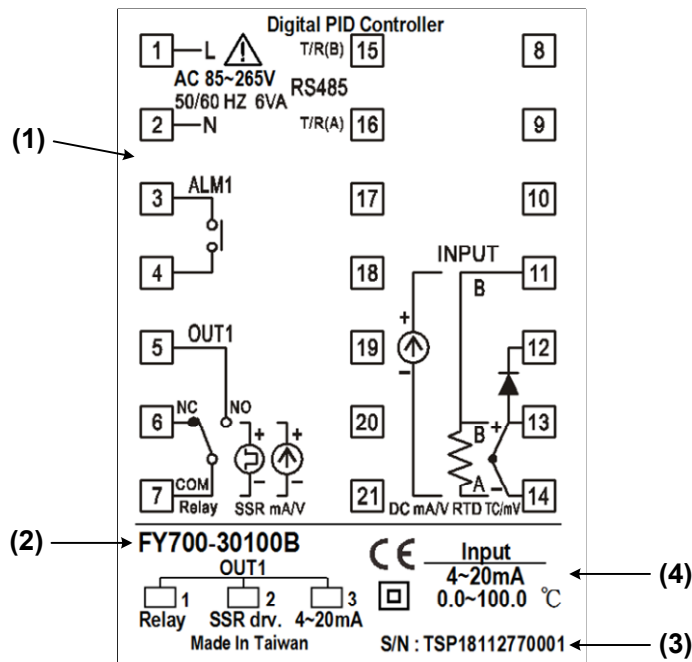
5.2 Label Guide

5.2.1 FY400



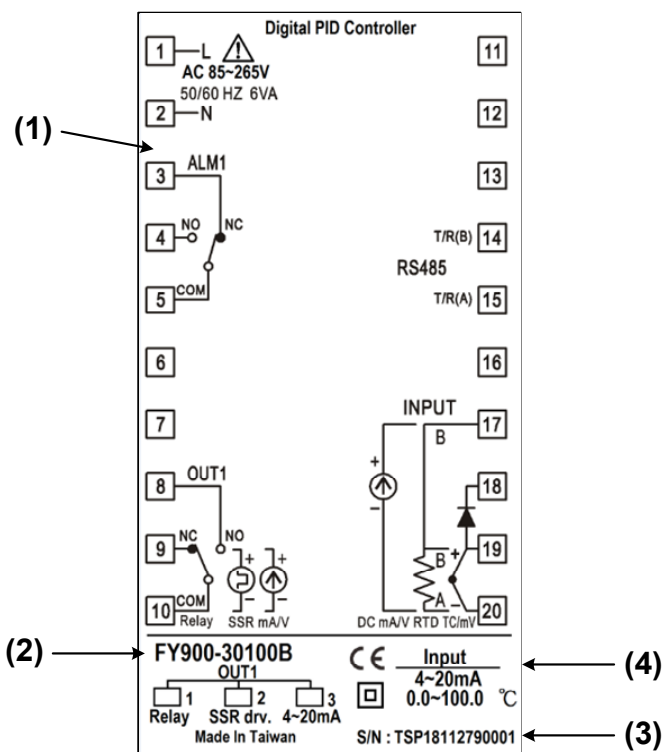
No.	Item	Description
(1)	Terminal arrangement	FY400 Terminal Wiring Diagram
(2)	Model number	FY400 model name
(3)	Serial number	TSP18112740001
(4)	Input type	Controller Input Signal and Scope

5.2.2 FY700



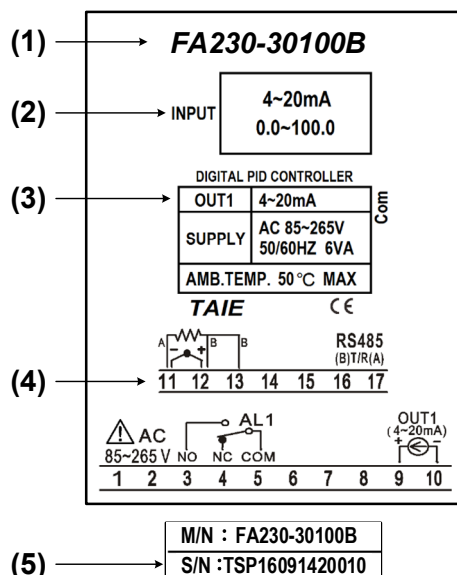
No.	Item	Description
(1)	Terminal arrangement	FY700 Terminal Wiring Diagram
(2)	Model number	FY700 model name
(3)	Serial number	TSP18112770001
(4)	Input type	Controller Input Signal and Scope

5.2.3 FY600/800/900



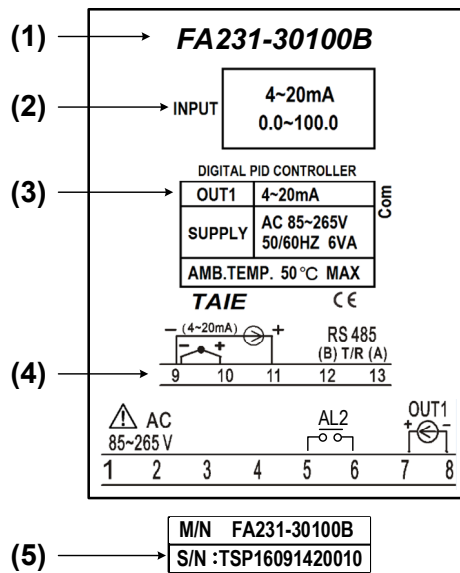
No.	Item	Description
(1)	Terminal arrangement	FY900 Terminal Wiring Diagram
(2)	Model number	FY900 model name
(3)	Serial number	TSP18112790001
(4)	Input type	Controller Input Signal and Scope

5.2.4 FA230



No.	Item	Description
(1)	Model number	FA230 model name
(2)	Input type	Controller Input Signal and Scope
(3)	Control output	4~20mA
(4)	Terminal arrangement	FA230 Terminal Wiring Diagram
(5)	Serial number	TSP16091420010

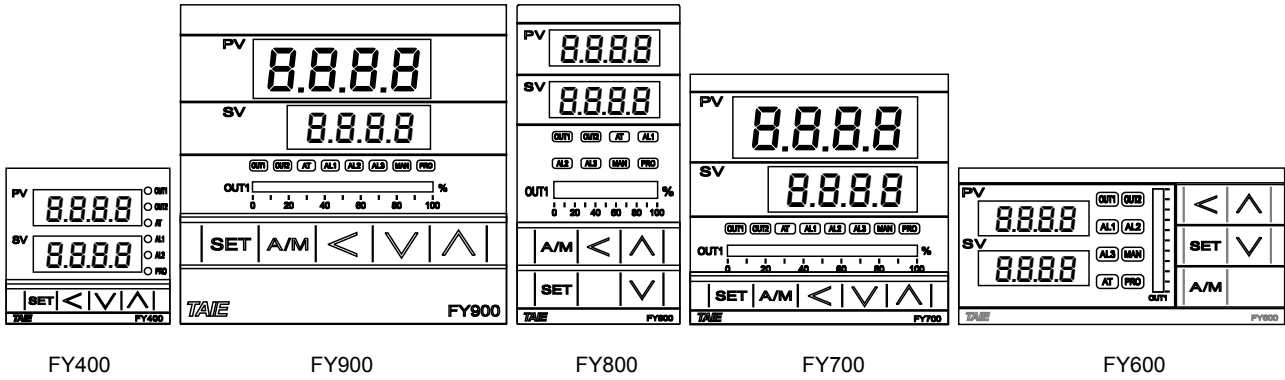
5.2.5 FA231



No.	Item	Description
(1)	Model number	FA231 model name
(2)	Input type	Controller Input Signal and Scope
(3)	Control output	4~20mA
(4)	Terminal arrangement	FA231 Terminal Wiring Diagram
(5)	Serial number	TSP16091420010

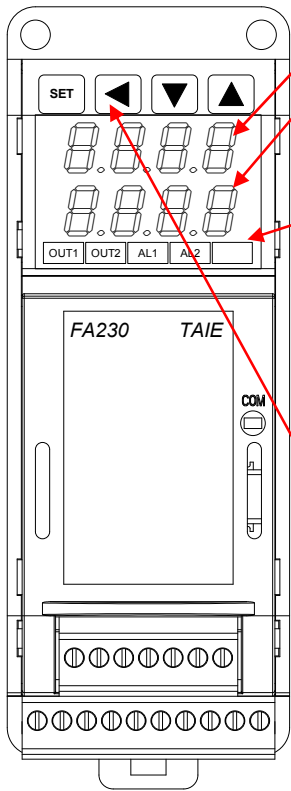
6. Parts Description

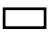




6.1 FY Series



	1	PV	Indicating PV (measured value) and character information such as parameter codes or error codes(Red)	
	2	SV	Indicating SV (target set value) or parameter values(Green)	
	3	LED	OUT1	Lamp lit when OUT1 is activated (Green)
			OUT2	Lamp lit when OUT2 is activated (Green)
			AT	Lamp lit when Auto tuning is activated (Orange)
			AL1	Lamp lit when Alarm 1 is activated (Red)
			AL2	Lamp lit when Alarm 2 is activated (Red)
			AL3	Lamp lit when Alarm 3 is activated (Red)
			MAN	Lamp lit when controller in manual mode or get error condition (Orange)
			PRO	When the program is executed, this light is on (orange)
	OUT1%	Output% bar-graph indicator(Green)		
4	Keypad	SET	SET For parameter call-up and set value registration	
		A/M	A/M Auto manual transfer	
		SHIFT	SHIFT Shift digits when changing settings	
		DOWN	DOWN Decrease numerals	
		UP	UP Increase numerals	

6.2 FA Series

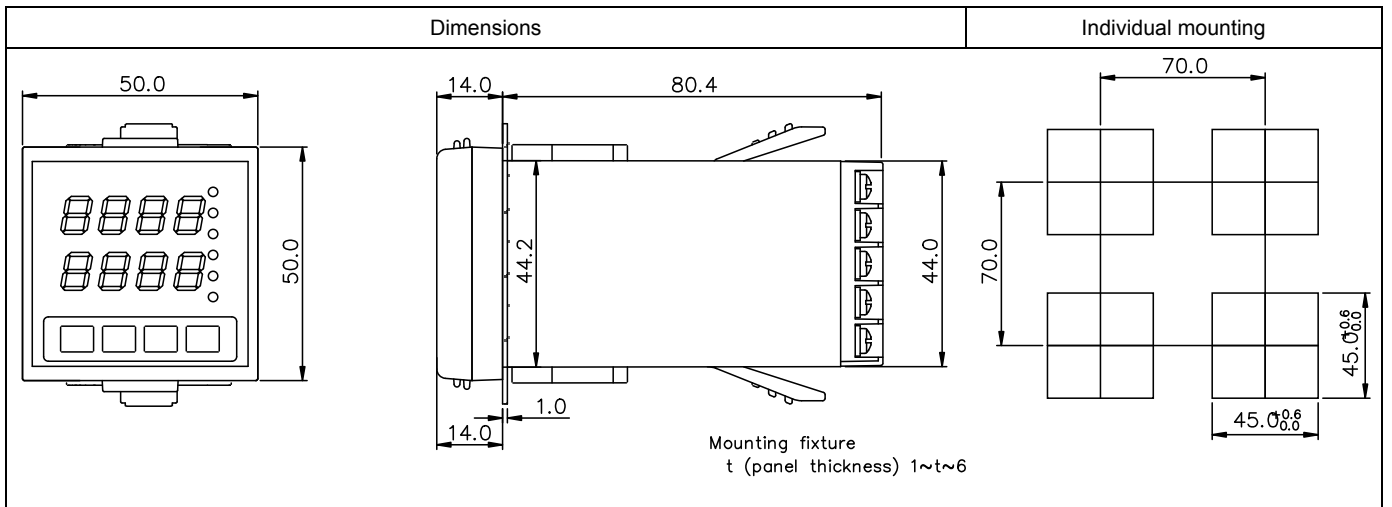


1		PV	Indicating PV (measured value) and character information such as parameter codes or error codes(Red)
2		SV	Indicating SV (target set value) or parameter values(Green)
3	LED	OUT1	Lamp lit when OUT1 is activated (Green)
		OUT2	Lamp lit when OUT2 is activated (Green)
		AL1	Lamp lit when Alarm 1 is activated (Red)
		AL2	Lamp lit when Alarm 2 is activated (Red)
			1. Lamp lit when Auto tuning is activated (Orange) 2. When the program is executed, this light is on (orange)
		COM	Lights when controller response data (Orange)
4	Keypad	 SET	For parameter call-up and set value registration
		 SHIFT	Shift digits when changing settings
		 DOWN	Decrease numerals
		 UP	Increase numerals

7. Installation

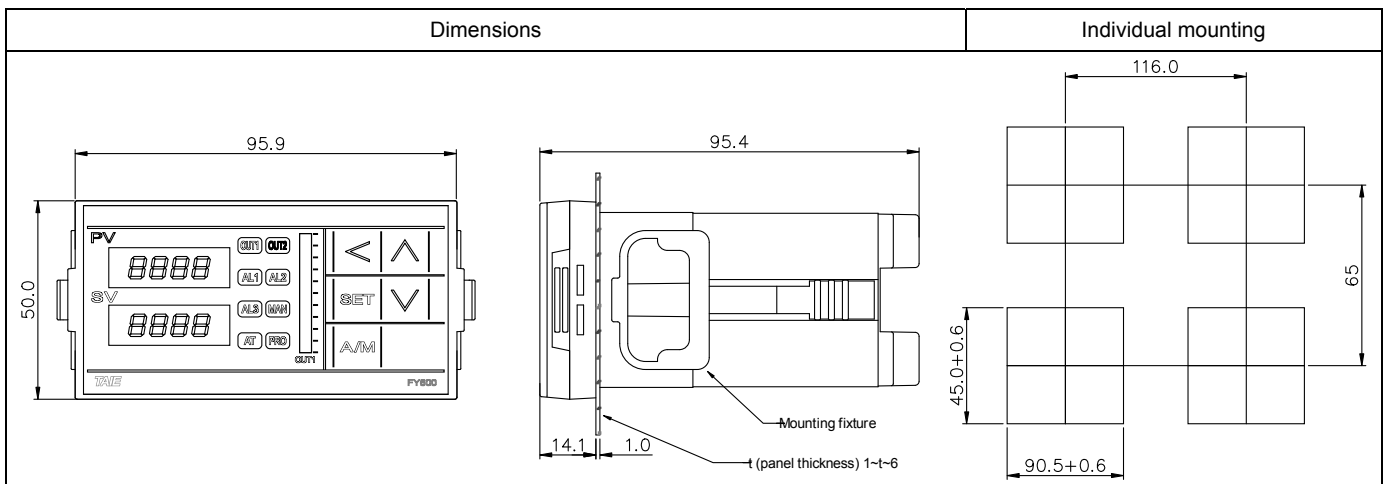
7.1 FY400 Dimensions

(Unit: mm)



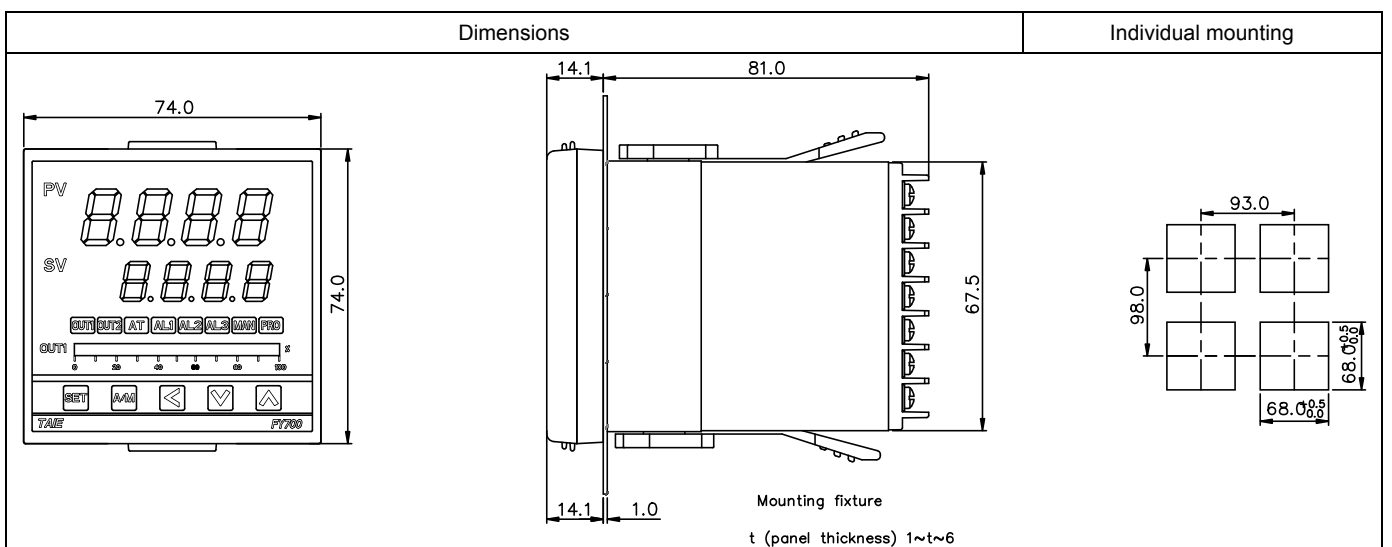
7.2 FY600 Dimensions

(Unit: mm)



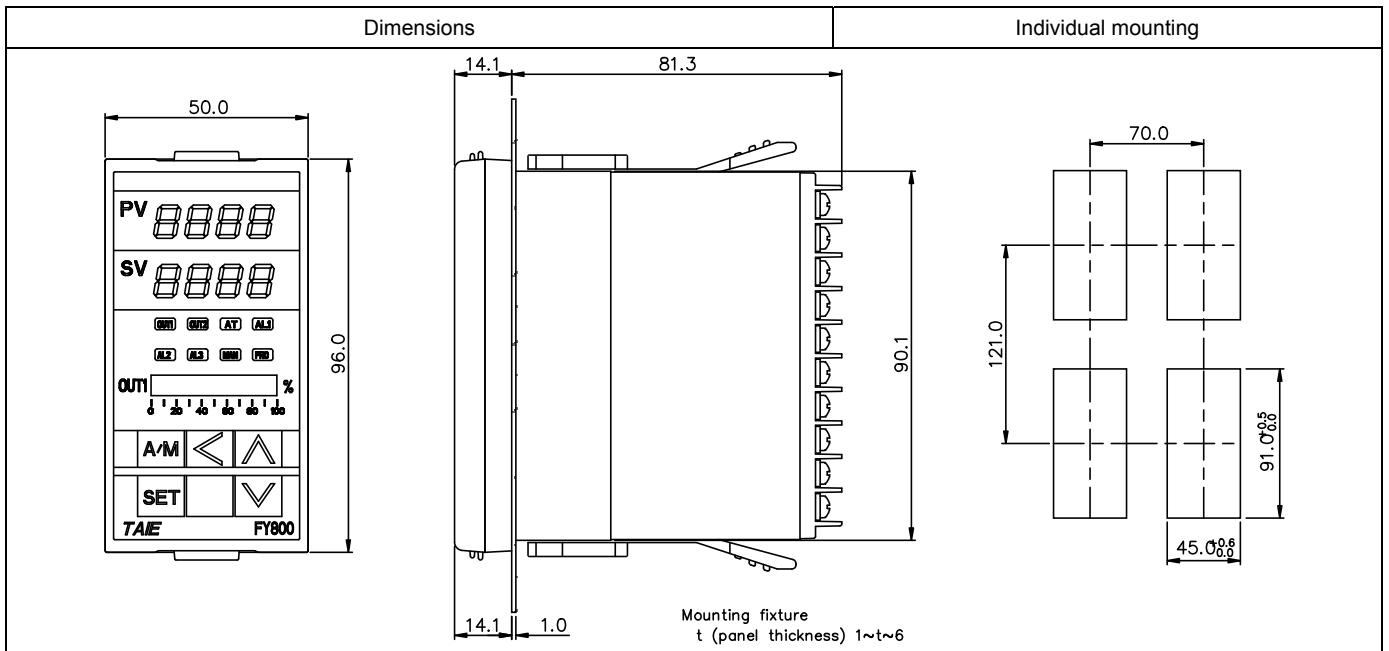
7.3 FY700 Dimensions

(Unit: mm)



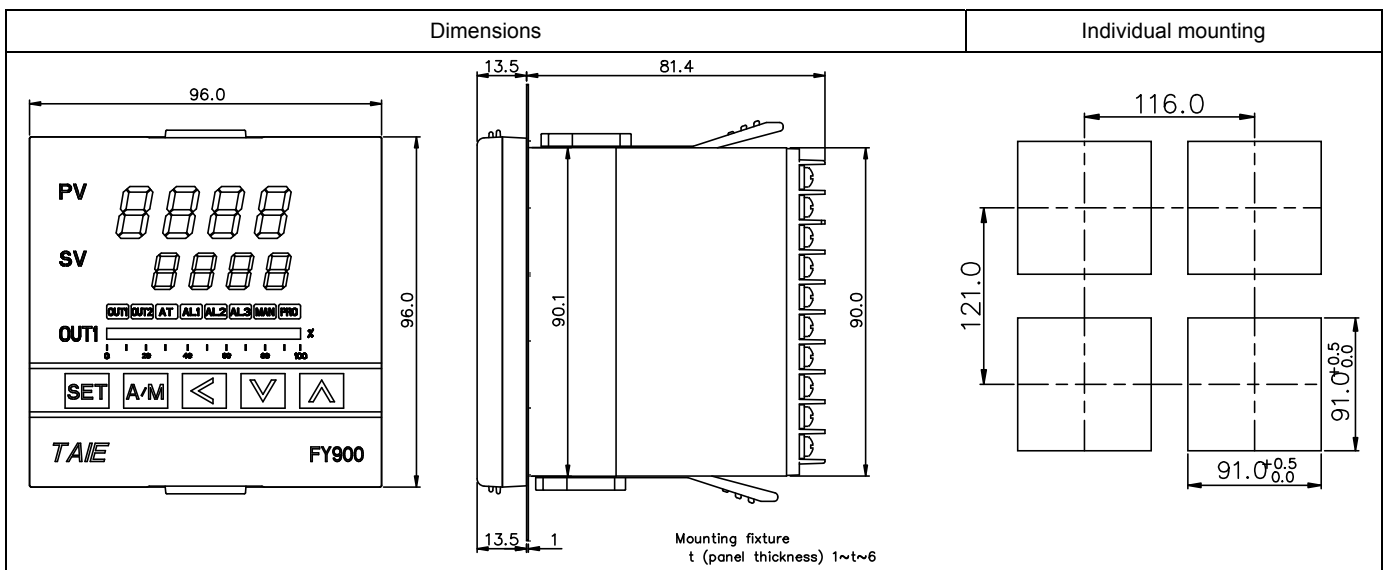
7.4 FY800 Dimensions

(Unit: mm)



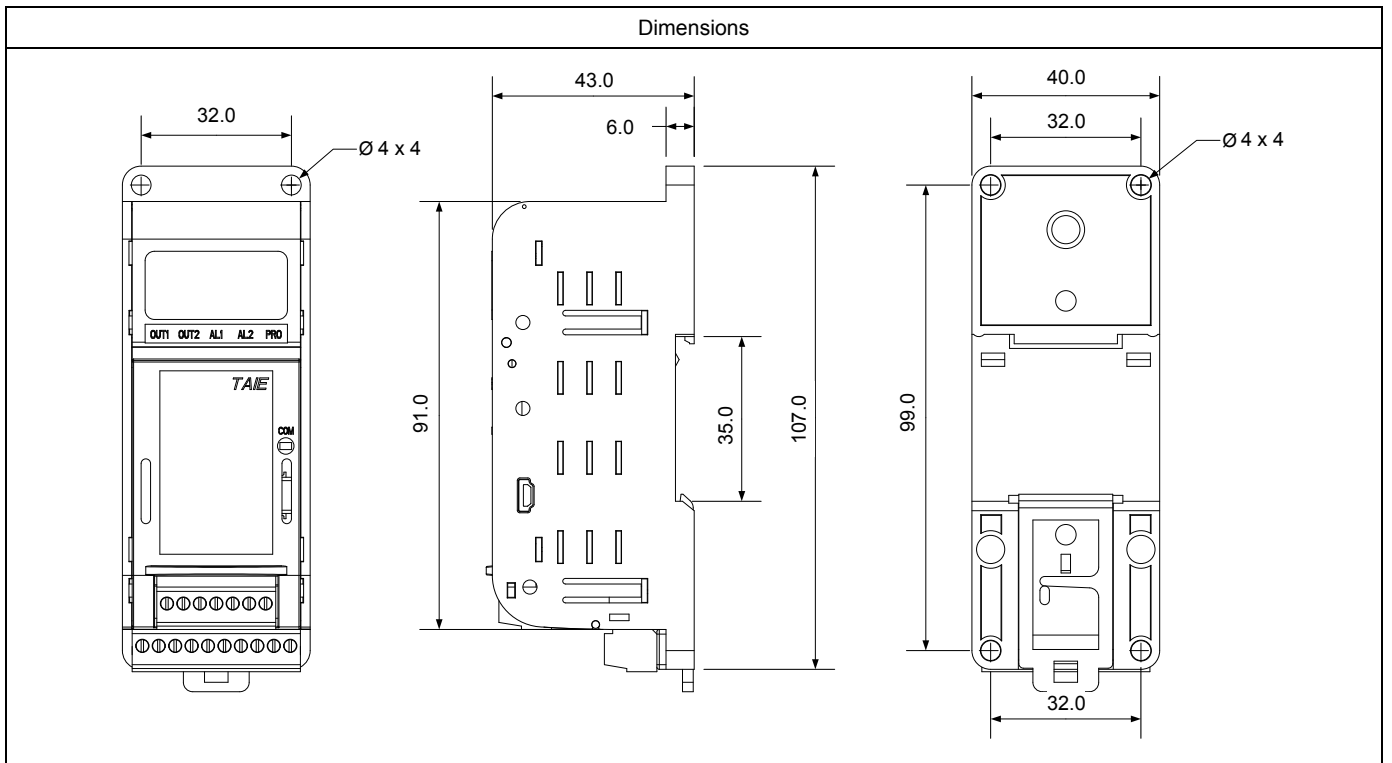
7.5 FY900 Dimensions

(Unit: mm)



7.6 FA230/231 Dimensions

(Unit: mm)

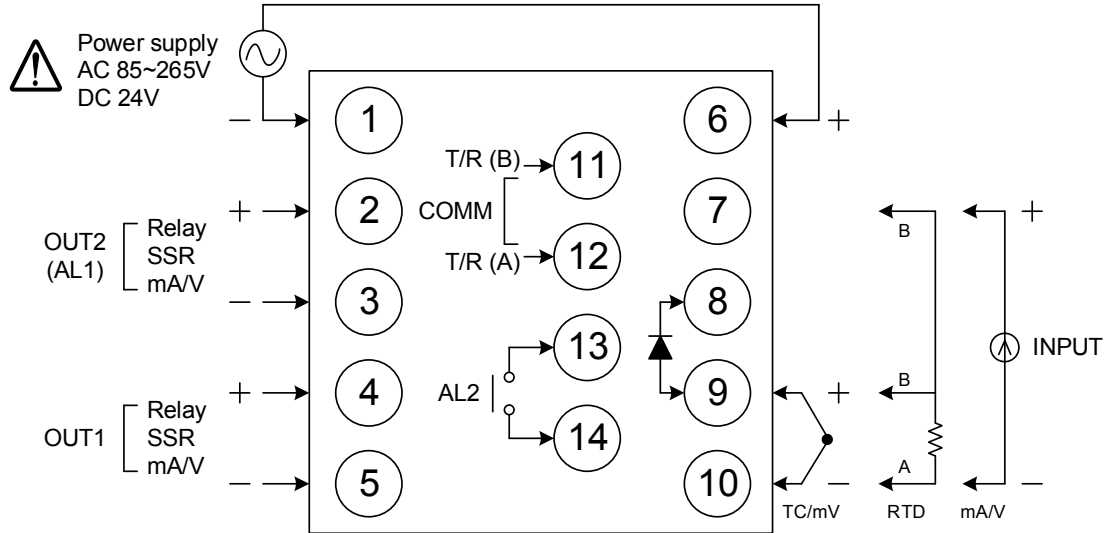


8. Terminal Arrangement

⚠ Caution

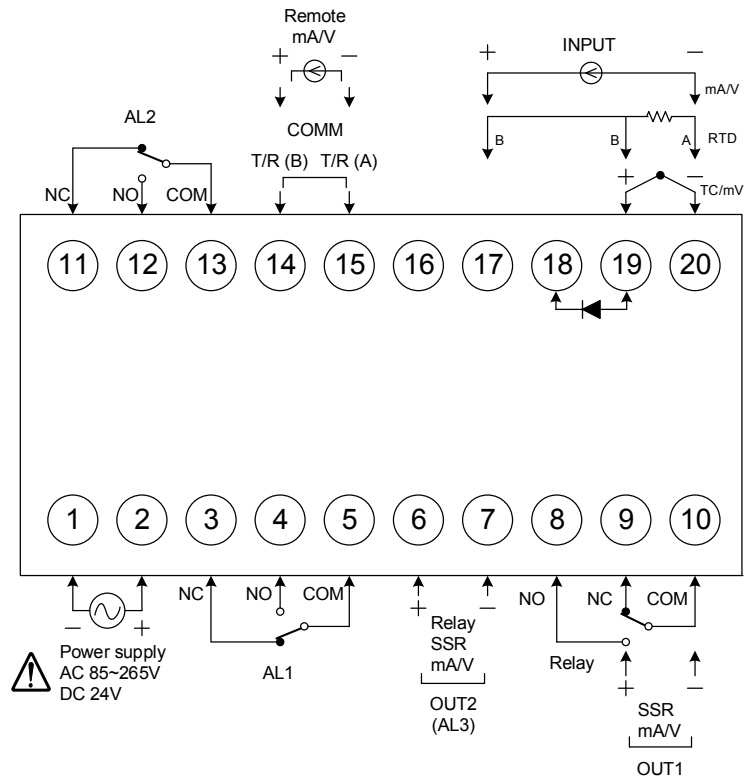
When implementing wiring for the controller power supply, please make sure that the power supply is turned off to avoid electric shock!
Do not touch the live parts, such as the terminals, while the power is on. Otherwise death or serious injury may be resulted from short circuit of the contact electrode.

8.1 FY400 Terminal Arrangement



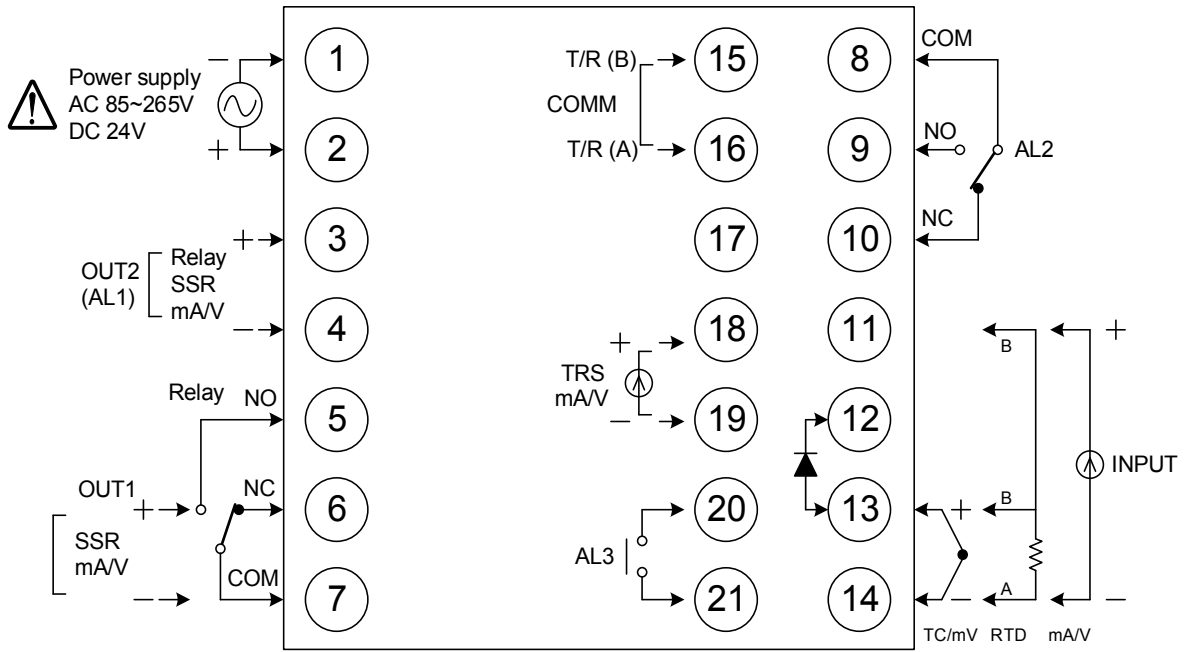
Power		Alarm-1 Alarm-2	
Output-1		Communication	
Output-2		Transmission	
1φ Zero cross	11 G1 12 K1 13 G2 14 K2	Remote SV	
		CT	
Motor valve	2 3 CLOSE 4 OPEN 5 COM	Input	

8.2 FY600 Terminal Arrangement



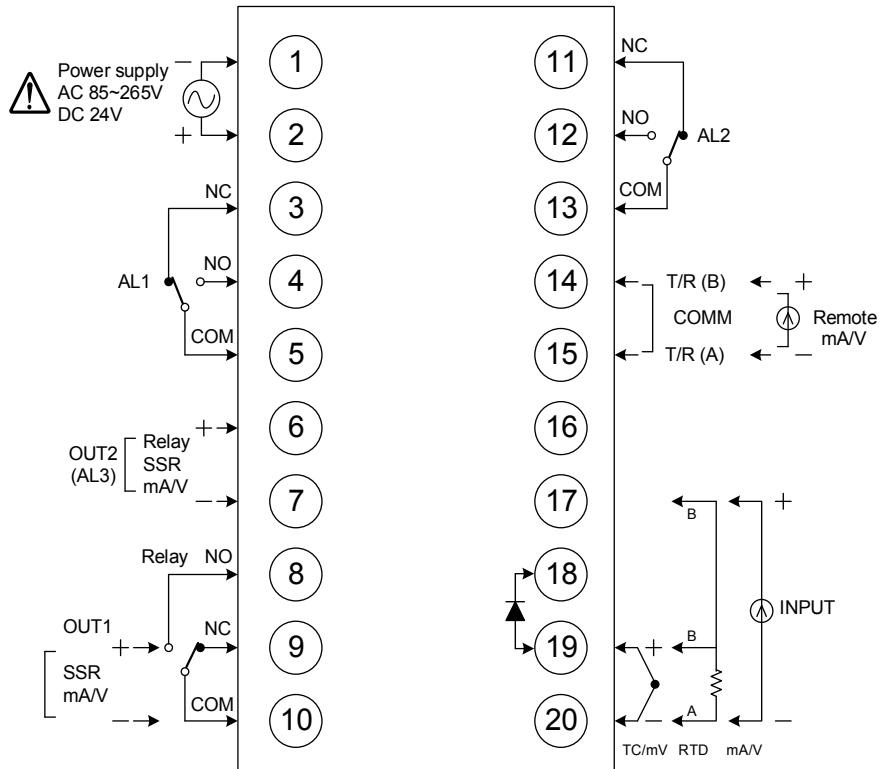
Power		Communication	
Output-1		Transmission	
Output-2		Remote SV/CT Input	
Motor valve		Alarm 1 Alarm 2 Alarm 3	
		Input	

8.3 FY700 Terminal Arrangement



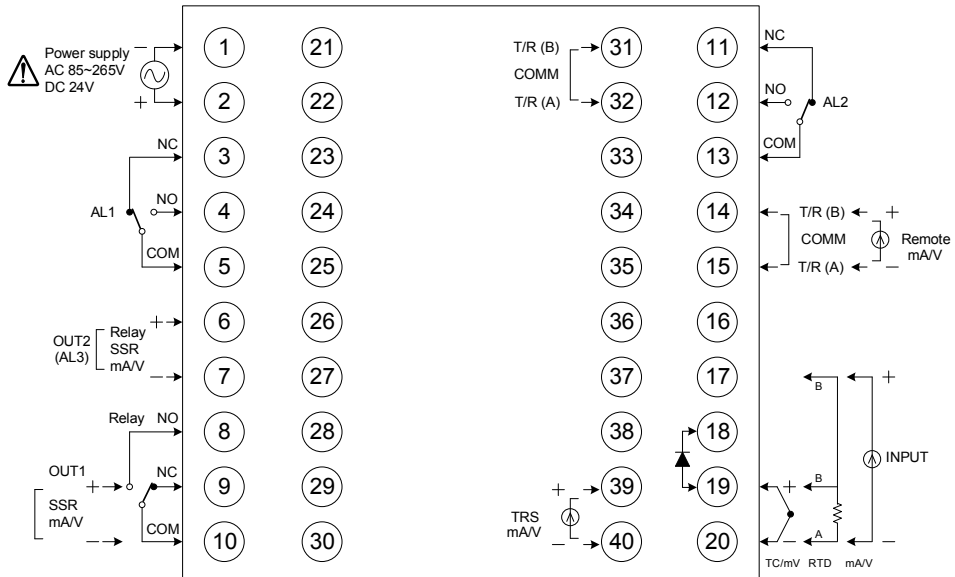
Power		
Output-1		
Output-2		
1φ Zero cross/ Phase angle	15 G1 16 K1 17 G2 18 K2	
Motor valve	3 4 CLOSE 5 OPEN 6 7 COM	

8.4 FY800 Terminal Arrangement



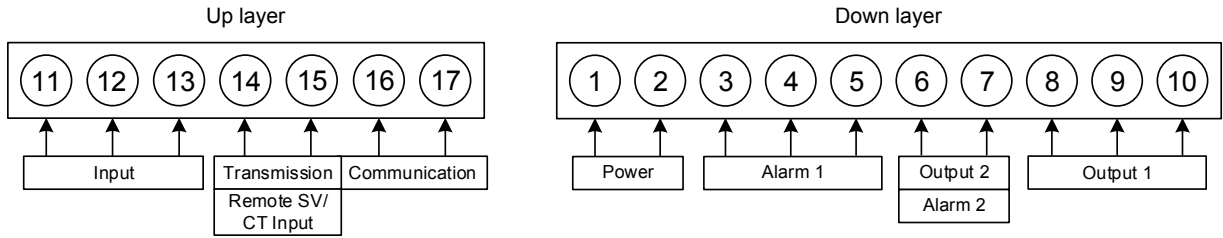
Power	<p>Terminal 1: L (AC 85~265V) / - (DC 24V)</p> <p>Terminal 2: N (AC 85~265V) / + (DC 24V)</p>	Communication	<p>Terminal 14: T/R (B) RS-485</p> <p>Terminal 15: T/R (A) RS-485</p>
Output-1	<p>Terminal 8: NO</p> <p>Terminal 9: NC</p> <p>Terminal 10: COM</p> <p>Terminal 9: + (SSR) / - (mA/V)</p>	Transmission	<p>Terminal 12: + (mA/V)</p> <p>Terminal 13: - (mA/V)</p> <p>Terminal 14: + (mA/V)</p> <p>Terminal 15: - (mA/V)</p>
Output-2	<p>Terminal 6: Relay (+)</p> <p>Terminal 7: Relay (-)</p> <p>Terminal 8: Relay NO</p> <p>Terminal 6: + (SSR) / - (mA/V)</p>	Remote SV/CT Input	<p>Terminal 14: + (mA/V)</p> <p>Terminal 15: - (mA/V)</p> <p>Terminal 14: CT</p> <p>Terminal 15: CT</p>
Motor valve	<p>Terminal 6: CLOSE</p> <p>Terminal 7: OPEN</p> <p>Terminal 8: COM</p> <p>Terminal 9: COM</p> <p>Terminal 10: COM</p>	Alarm 1 Alarm 2 Alarm 3	<p>Terminal 3: NC (AL1)</p> <p>Terminal 4: NO (AL1)</p> <p>Terminal 5: COM (AL1)</p> <p>Terminal 11: NC (AL2)</p> <p>Terminal 12: NO (AL2)</p> <p>Terminal 13: COM (AL2)</p> <p>Terminal 6: NO (AL3)</p> <p>Terminal 7: NO (AL3)</p>
		Input	<p>Terminal 17: B (+)</p> <p>Terminal 19: B (+) (RTD) / + (mA/V)</p> <p>Terminal 20: A (-) (RTD) / - (mA/V)</p> <p>Terminal 19: TC/mV</p> <p>Terminal 20: TC/mV</p>

8.5 FY900 Terminal Arrangement



Power		Motor valve	
Output-1		Alarm 1 Alarm 2 Alarm 3	
Output-2		Communication	
3φ Zero cross	<p>31 RG1</p> <p>32 RK1</p> <p>33 RG2</p> <p>34 RK2</p> <p>35 TG1</p> <p>36 TK1</p> <p>37 TG2</p> <p>38 TK2</p>	Transmission	
1φ Zero /Phase angle	<p>31 G1</p> <p>32 K1</p> <p>33 G2</p> <p>34 K2</p>	Remote SV/ CT Input	
		Input	

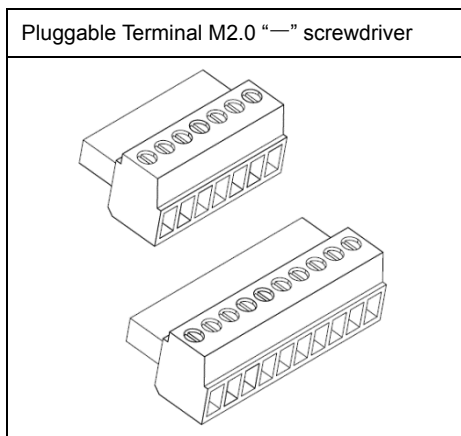
8.6 FA230 Terminal Arrangement



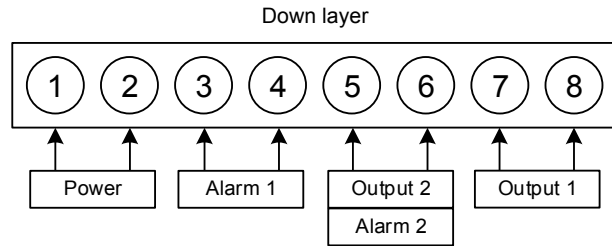
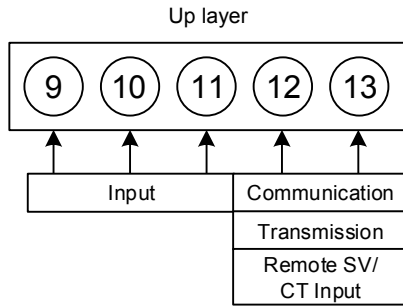
Input	
Transmission	
Remote SV/ CT Input	
Communication	

Power	
Alarm	
Output 2	
Output 1	

FA230 terminal diagram



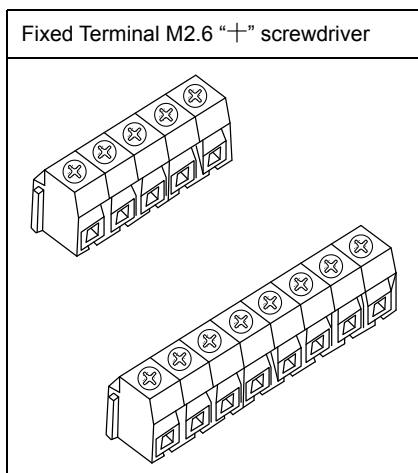
8.7 FA231 Terminal Arrangement



Input	
Communication	
Transmission	
Remote SV/ CT Input	















Power	
Alarm	
Output 2	
Output 1	

FA231 terminal diagram














9. Basic Function Setting


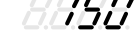











9.1 Changing Input Type

1.	PV  SV 	Display after power-on.	2.	PV  SV 	Hold SET key +  key 3 seconds, to enter LEVEL_3 upper display showing "INP1" with lower display showing current input type.
3.	PV  SV 	Press  key the lower display flashes.	4.	PV  SV 	Press  key and  key to enter the intended input type.
5.	PV  SV 	Press SET key to store new value of INP1.	Modify input type needs to interchange of jumper location, and it needs to recalibration for linear input type change. Please refer to chapter 15. "Input type modification".		


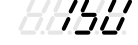






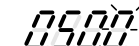




9.2 SV Setting

1.	PV  SV 	Display after power-on.	2.	PV  SV 	When  key is pressed, the lower display flashes.
3.	PV  SV 	Press  key and  key to adjust set value.	4.	PV  SV 	Press SET key to store new value of SV.


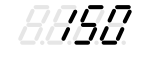

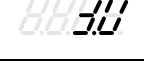

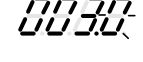

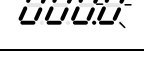
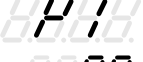


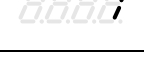

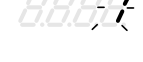

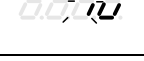


9.3 Setting PID Values Automatically(Autotuning)

1.	PV  SV 	Display after power-on.	2.	PV  SV 	Press SET key until show "AT" °.
3.	PV  SV 	When  key is pressed, the lower display flashes.	4.	PV  SV 	Press  key or  key to select auto tuning execution or not.
5.	PV  SV 	Press SET key to store new value of AT.	When auto tuning AT LED lamp lit and start to output, through a few circles to get new PID value with the precise control, if finished the AT LED will be lamp off.		



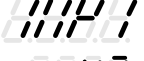


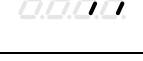
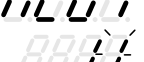
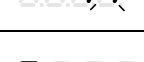



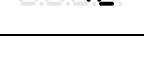
9.4 Setting PID Values Manually

1.	PV  SV 	Display after power-on.	2.	PV  SV 	Hold SET key 3 seconds, then entering into LEVEL_2 upper display showing "P1", with lower display show current P1 value.
3.	PV  SV 	When  key is pressed, the lower display flashes.	4.	PV  SV 	Press  key and  key to set the intended P1 value.
5.	PV  SV 	Press SET key to store new value of P1.	By the same procedure, use the same ways to set integral value(I1) and derivative value(D1).		


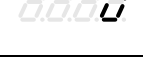

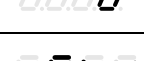

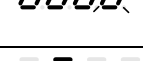

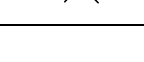


9.5 Controlling With ON/OFF Action

1.	PV  SV 	Display after power-on.	2.	PV  SV 	Hold SET key 3 seconds, then entering into LEVEL_2, as upper display shows "P1", with lower display showing current P1 value.
3.	PV  SV 	When ◀ key is pressed, the lower display flashes, upper display.	4.	PV  SV 	Press ▼ key until P1 = 0.0
5.	PV  SV 	Press SET key to store new value.	6.	PV  SV 	Press SET key until show "HYS1" °.
7.	PV  SV 	When ◀ key is pressed, the lower display flashes.	8.	PV  SV 	Press ▲ key and ▼ key to set the intended HYS1 value.
9.	PV  SV 	Press SET key to store new value.	Heat mode formula: $PV > (SV + HYS1) \rightarrow \text{OUT1 OFF}$ $PV \leq (SV - HYS1) \rightarrow \text{OUT1 ON}$ Cool mode formula: $PV \geq (SV + HYS1) \rightarrow \text{OUT1 ON}$ $PV < (SV - HYS1) \rightarrow \text{OUT1 OFF}$		














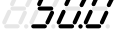

9.6 Alarm Mode Setting

1.	PV  SV 	Display after power-on.	2.	PV  SV 	Hold SET key + ◀ key 3 seconds, then entering into LEVEL_3 upper display showing "INP1" with lower display showing current input type.
3.	PV  SV 	Press SET key until show "ALD1" °.	4.	PV  SV 	When ◀ key is pressed, the lower display flashes
5.	PV  SV 	Press ▲ key and ▼ key to set the intended ALD1 value.	6.	PV  SV 	Press SET key to store new value of ALD1. ※ Please refer to ch12.1 Alarm mode.

9.7 Alarm Value Setting

1.	PV  SV 	Display after power-on.	2.	PV  SV 	Press SET key until show "AL1" °.
3.	PV  SV 	When ◀ key is pressed, the lower display flashes.	4.	PV  SV 	Press ▲ key and ▼ key to set the intended AL1 value.
5.	PV  SV 	Press SET key to store new value of AL1.			

9.8 Controlling With Manual Control

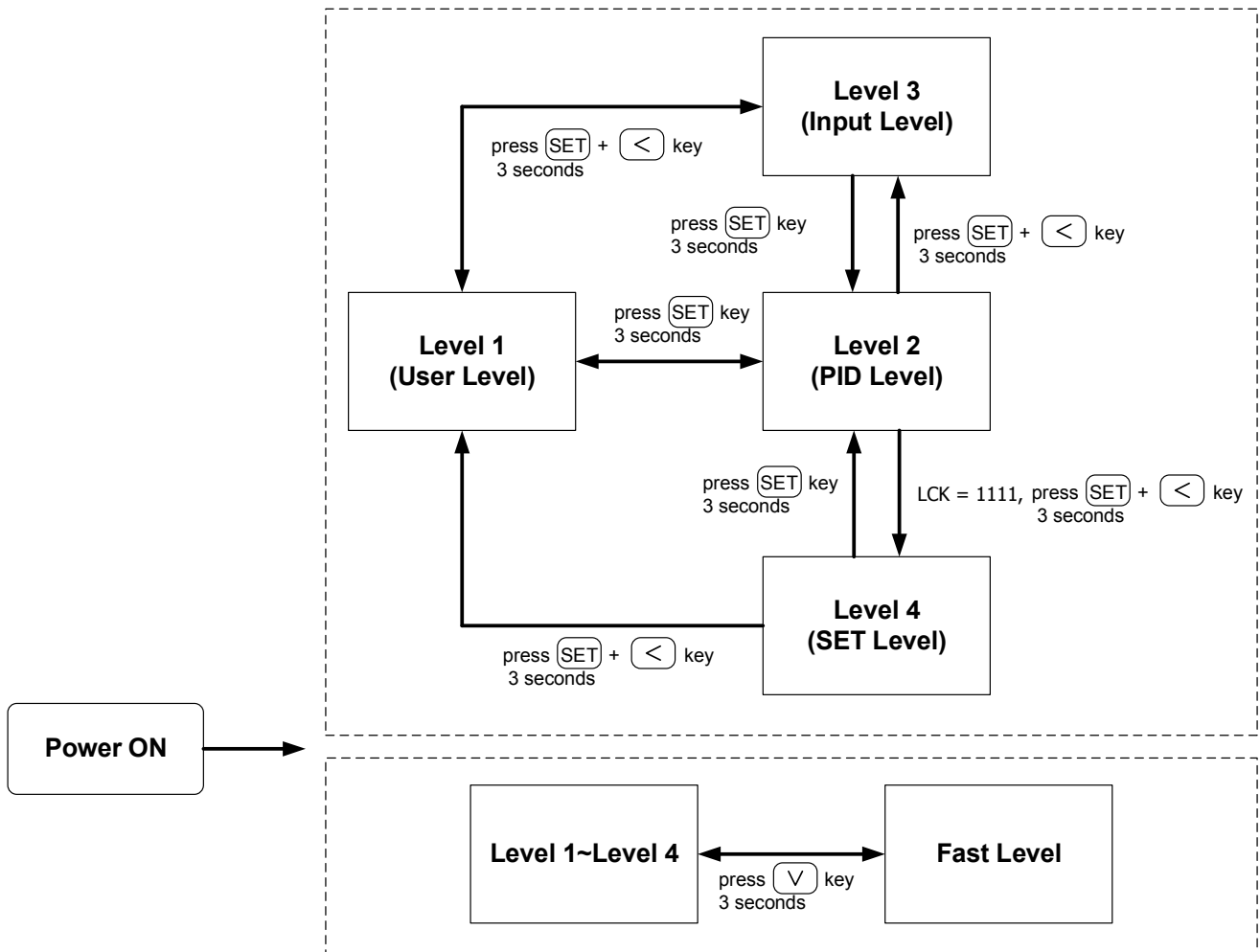
<p>1. PV  SV  Display after power-on.</p>	<p>2. PV  SV  Hold  2 seconds.</p>
<p>3. PV  SV  When  key is pressed, the lower display flashes.</p>	<p>4. PV  SV  Press  key and  key to set the intended output% value.</p>
<p>5. PV  SV  Press  key to store new value.</p>	<p>In manual mode OUTL=100.0 · output=100.0 % continuously. In manual mode OUTL=20.0 · output=20.0 % continuously.</p>

10. Flow Chart of Parameter Setting

10.1 Level Operation Mode

1. LEVEL 1 enter to the LEVEL 2
Hold SET key for 3 seconds then entering LEVEL 2
2. LEVEL 1 enter to the LEVEL 3
Hold SET key + SHIFT key for 3 seconds then entering LEVEL 3
3. LEVEL 2 return to the LEVEL 1
Hold SET key for 3 seconds then return to LEVEL 1
4. LEVEL 2 enter to the LEVEL 3
Hold SET key for 3 seconds then entering to LEVEL 3
5. LEVEL 2 enter to the LEVEL 4
On the LEVEL 2 press SET key to find parameter "LCK modify LCK value from current value to 1111 after hold SET key + SHIFT key 3 seconds entering LEVEL 4
6. LEVEL 3 return to the LEVEL 1
Hold SET key + SHIFT key for 3 seconds then return to LEVEL 1
7. LEVEL 3 return to the LEVEL 2
Hold SET key for 3 seconds then return to LEVEL 2
8. LEVEL 4 return to the LEVEL 1
Hold SET key + SHIFT key for 3 seconds then return to LEVEL 1
9. LEVEL 4 return to the LEVEL 2
Hold SET key for 3 seconds then return to LEVEL 2
10. Any LEVEL enter to the Fast LEVEL
Hold DOWN key for 3 seconds then entering Fast LEVEL
11. Fast LEVEL return to the LEVEL 1
Hold DOWN key for 3 seconds then return to LEVEL1

10.2 Level Operation Diagram



※ : If no key is pressed within 60 seconds, it will automatically return to LEVEL 1 (user level) and display PV/SV.

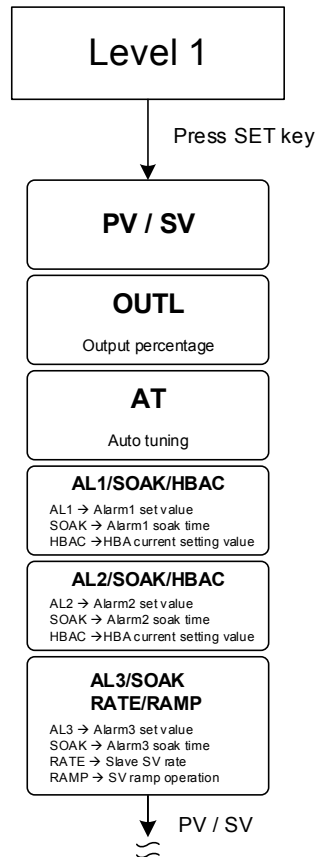
10.3 Data Lock Function

LCK provides a parameter protection function to prevent the first line operator from touching or modifying important parameters. Conversely, when the parameter cannot be modified, please make sure that the set value of LCK.

LCK	LEVEL				Descriptions
	Level_1 USER Level	Level_2 PID Level	Level_3 INPUT Level	Level_4 SET Level	
0000	◎	◎	◎	X	All parameters of Level 1, 2 & 3 are able to be modified (Factory default setting)
1111	◎	◎	X	◎	All parameters of Level 1, 2 & 4 are able to be modified
0100	◎	◎	X	X	All parameters of Level 1, 2 are able to be modified
0110	◎	◎	X	X	Only parameters of Level 1 and LCK can be modified
0001	◎	◎	X	X	Only SV, LCK can be modified
0101	◎	◎	X	X	Only LCK can be modified
Other	◎	◎	◎	X	Once jumping to other levels, LCK will be automatically restored to 0000

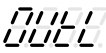


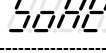

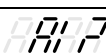


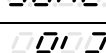



◎ : able to enter X : unable to enter

10.4 Level 1 (User Level) All Parameters Display



※ : If no key is pressed within 60 seconds, it will automatically return to LEVEL 1 (user level) and display PV/SV

10.5 LEVEL_1 Parameter

Parameter	Symbol	Content	Range		Default	Hide/Display
			MAX	MIN		
PV	---	Process value	USPL	LSPL	---	---
SV	---	Set value	USPL	LSPL	---	---
OUTL		High limit setting of manipulated value main output when PID gain > OUTL use OUTL as manipulated value	100.0	0.0	100.0	SET1.1
AT		Auto-tuning execute selection 0 : NO PID control 1 : YES execute auto tuning	YES	NO	NO	SET1.2
*AL1		Alarm1 set value (Please refer to Chapter 12)	9999	-1999	1.0	SET1.3
SOAK		Alarm1 soak time Time format : hr.min	99.59	0.00	0.10	ALD1=10 or ALD1=19
HBAC		HBA current setting value Upper : heater current display Down : current setting value unit : ampere(A)	100.0	0.0	1.0	INP2=4 & ALD1=9
*AL2		Alarm2 set value (Please refer to Chapter 12)	9999	-1999	1.0	SET1.4
HBAC		HBA current setting value Upper : heater current display Down : current setting value unit : ampere(A)	100.0	0.0	1.0	INP2=4 & ALD2=9
SOAK		Alarm2 soak time Time format : hr.min	99.59	0.00	0.10	ALD2=10 or ALD2=19
*AL3		Alarm3 set value (Please refer to Chapter 12)	9999	-1999	1.0	SET2.1
SOAK		Alarm3 soak time Time format : hr.min	99.59	0.00	0.10	ALD3=10
RAMP		The rate of change during SV ramp operation format : °C / minute (Please refer to Chapter 11.7)	99.99	-19.99	10.00	ALD3=9 & SET2.1
RATE		Slave SV rate RATE SV = SV x (RATE/9999)	9999	0	9999	SET2.1 & SET0.2

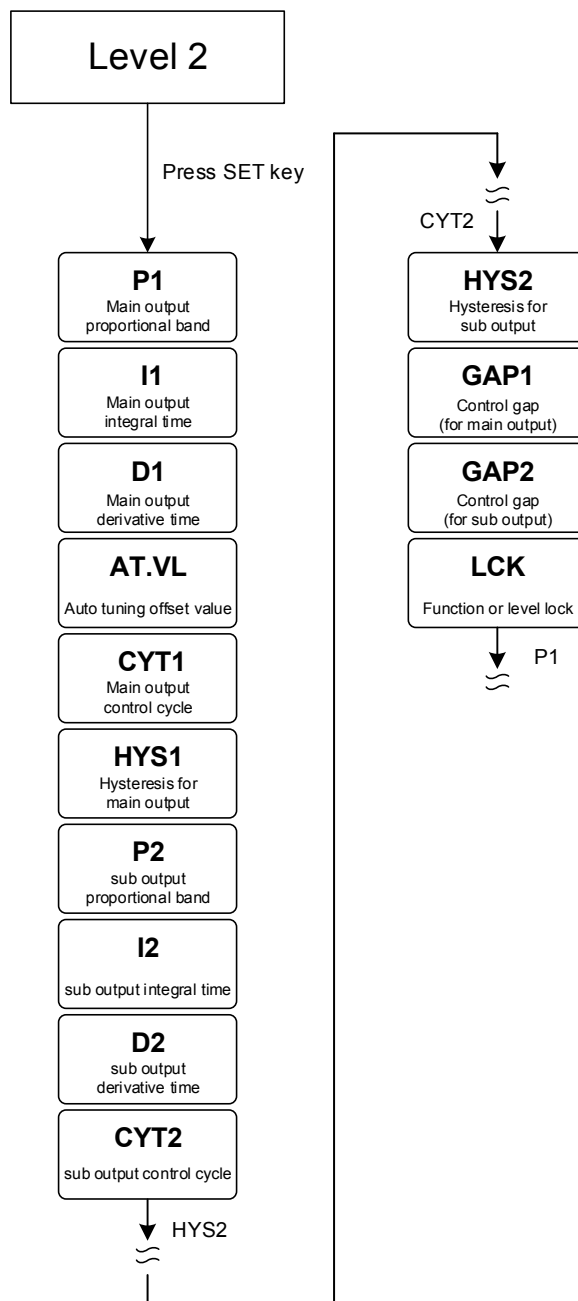
* Automatically display corresponding parameters according to different setting conditions

EX1: When alarm1 is used as HBA function, original AL1 will become HBAC display

EX2: When alarm2 is used as SOAK_B function(ALDX= 19), original AL2 will become SOAK display



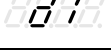
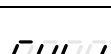
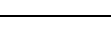

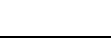
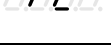
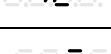
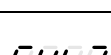
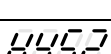
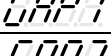


EX3: When alarm3 is used as RAMP function, original AL3 will become RAMP display

10.6 Level 2 (PID Level) All Parameters Display

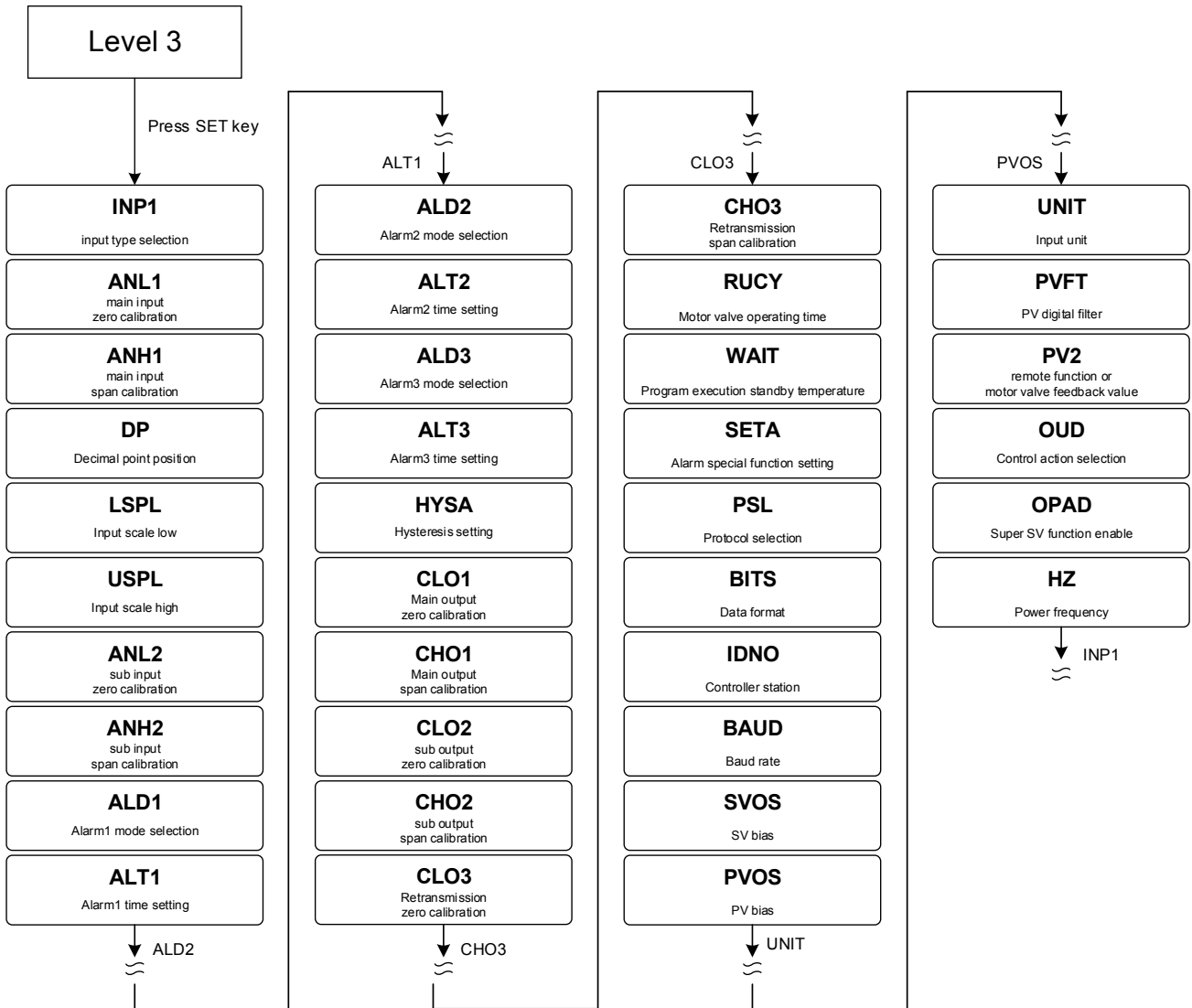


※ If no key is pressed within 60 seconds, it will automatically return to LEVEL 1 (user level) and display PV/SV

10.7 LEVEL_2 Parameter

Parameter	Symbol	Content	Range		Default	Hide/Display
			MAX	MIN		
P1		Main output proportional band 0.0 : ON/OFF control Other values : proportional band setting value	200.0	0.0	3.0	---
I1		Main output integral time 0 : disable integral function Other values : integral time setting value	3600	0	240	---
D1		Main output derivative time 0 : disable derivative function Other values : derivative time setting value	900	0	60	---
AT.VL		Auto tuning offset value execute auto tuning in (SV-ATVL) point	100.0	-100.0	0.0	---
CYT1		Main output control cycle 0 : Linear signal 1 : SSR drive 2~150 : Relay	150	0	10	---
HYS1		Hysteresis for main output on/off control use(when P1 = 0.0 appear) heating formula : $PV \geq (SV + HYS1) \rightarrow OUT1=OFF$ $PV \leq (SV - HYS1) \rightarrow OUT1=ON$ cooling formula : $PV \geq (SV + HYS1) \rightarrow OUT1=ON$ $PV \leq (SV - HYS1) \rightarrow OUT1=OFF$	100.0	-100.0	1.0	P1 = 0.0
P2		Sub output proportional band 0.0 : ON/OFF control Other values : proportional band setting value	200.0	0.0	3.0	OUTY = 1
I2		Sub output integral time 0 : disable integral function Other values : integral time setting value	3600	0	240	OUTY = 1
D2		Sub output derivative time 0 : disable derivative function Other values : derivative time setting value	900	0	60	OUTY = 1
CYT2		Sub output control cycle 0 : Linear signal 1 : SSR drive 2~150 : Relay	150	0	10	OUTY = 1
HYS2		Hysteresis for sub output on/off control use(when P2 = 0.0 appear)	100.0	-100.0	1.0	P2 = 0.0
GAP1		Control gap (for main output)	1000	-1000	0	OUTY = 1
GAP2		Control gap (for sub output)	1000	-1000	0	OUTY = 1
LCK		Function or level lock (Please refer to Chapter 10.3 Data Lock Function)	1111	0000	0000	---

10.8 Level 3 (Input Level) All Parameters Display

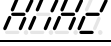


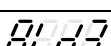




※ If no key is pressed within 60 seconds, it will automatically return to LEVEL 1 (user level) and display PV/SV

10.9 LEVEL_3 Parameter

Parameter	Symbol	Content	Range		Default	Hide/Display
			MAX	MIN		
INP1		Main input type selection Change this parameter USPL&LSPL will be reset (please refer to Chapter 4 Input Range Table)	AN4	K1	K1	---
ANL1		Main input zero calibration (please refer to chapter 15.4)	9999	-1999	0	SET2.2
ANH1		Main input span calibration (please refer to chapter 15.4) (hex display)	0x7FFF	0x0000	0x5FFF	SET2.2
DP		Decimal point position (only available in linear signal input AN1~AN4) 0 : 0000 1 : 000.0 2 : 0.00 3 : 0.000	0.000	0000	000.0	SET2.2

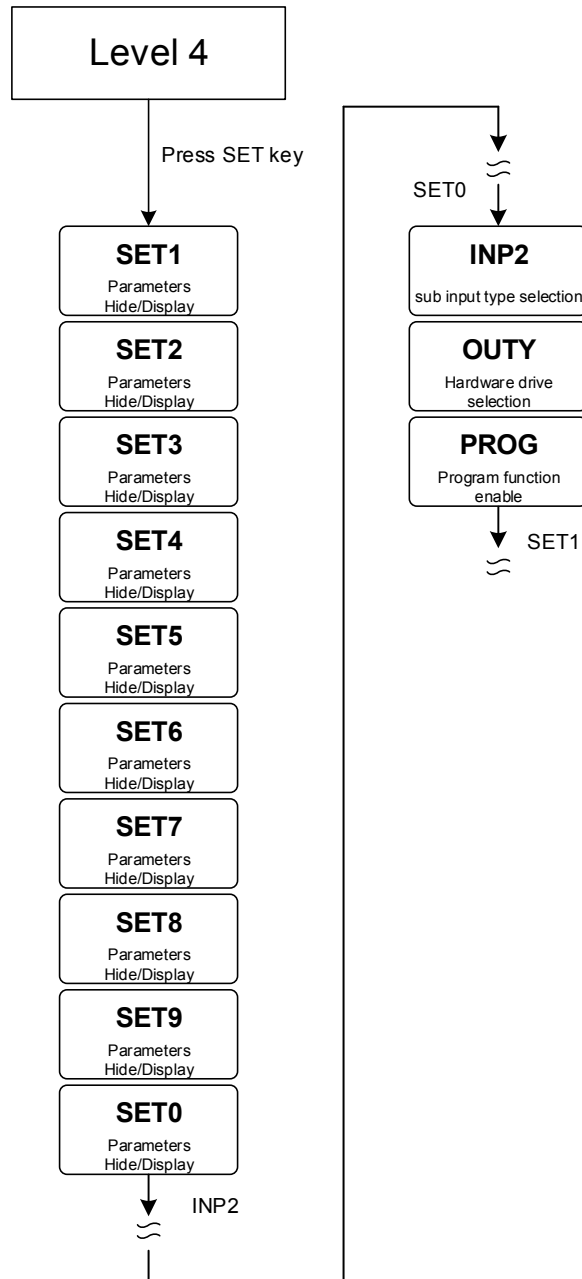
10.9 LEVEL_3 Parameter

Parameter	Symbol	Content	Range		Default	Hide/Display
			MAX	MIN		
LSPL		Input scale low	9999	-1999	---	SET2.3
USPL		Input scale high	9999	-1999	---	SET2.3
ANL2		Sub input zero calibration	9999	-1999	0	SET2.4
ANH2		Sub input span calibration (hex display)	0x7FFF	0x0000	0x5FFF	SET2.4
ALD1		Alarm1 mode selection (Please refer to Chapter 12.1 Alarm Mode)	19	0	11	SET3.1
ALT1		Alarm1 time setting 0.00 : Flicker 99.59 : Continued ON 0.01~99.58 : delay time Time format : min . sec	99.59	0.00	99.59	SET3.2
ALD2		Alarm2 mode selection (Please refer to Chapter 12.1 Alarm Mode)	19	0	0	SET3.3
ALT2		Alarm2 time setting 0.00 : Flicker 99.59 : Continued ON 0.01~99.58 : delay time Time format : min . sec	99.59	0.00	99.59	SET3.4
ALD3		Alarm3 mode selection (Please refer to Chapter 12.1 Alarm Mode)	18	0	0	SET4.1
ALT3		Alarm3 time setting 0.00 : Flicker 99.59 : Continued ON 0.01~99.58 : delay time Time format : min . sec	99.59	0.00	99.59	SET4.2
HYSA		Hysteresis setting for alarm1~3	100.0	-100.0	1.0	SET4.3
CLO1		Main output zero calibration only for linear signal (Please refer to Chapter 14.5)	9999	0	0	SET4.4
CHO1		Main output span calibration only for linear signal (Please refer to Chapter 14.5)	9999	0	3600	SET4.4
CLO2		Sub output zero calibration only for linear signal	9999	0	0	SET5.1
CHO2		Sub output span calibration only for linear signal	9999	0	3600	SET5.1
CLO3		Retransmission zero calibration	9999	0	0	SET5.2
CHO3		Retransmission span calibration	9999	0	3600	SET5.2
RUCY		Motor valve traveling time unit : second (Please refer to Chapter 11.6)	150	5	5	SET5.3
WAIT		Program execution standby temperature 0 : when program executed reach SV do not waiting for PV temperature Other values : when PV= (target SV-WAIT), program entering next segment (Please refer to Chapter 13)	100.0	0	0	SET5.3

10.9 LEVEL_3 Parameter

Parameter	Symbol	Content	Range		Default	Hide/Display
			MAX	MIN		
SETA		Alarm special function setting (Please refer to Chapter 12.2)	1111	0000	0000	SET5.3
PSL		Protocol selection 0 : TAIE 1 : RTU (Please refer to communication manual)	RTU	TAIE	RTU	SET5.4
BITS		Data format 0 : O_81 (parity bit=odd, stop bit=1) 1 : O_82 (parity bit=odd, stop bit=2) 2 : E_81 (parity bit=even, stop bit=1) 3 : E_82 (parity bit=even, stop bit=2) 4 : N_81 (parity bit=none, stop bit=1) 5 : N_82 (parity bit=none, stop bit=2)	N_82	O_81	O_81	SET5.4
IDNO		Controller station	254	0	1	SET5.4
BAUD		Baud rate 0 : 24(2400) 1 : 48(4800) 2 : 96(9600) 3 : 192(19200) 4 : 384(38400) 5 : 576(57600) 6 : 1152(115200) bps	1152	24	384	SET5.4
SVOS		SV bias	100.0	-100.0	0	SET6.1
PVOS		PV bias PV = PV + PVOS	100.0	-100.0	0	SET6.2
UNIT		Unit Change this parameter USPL&LSPL will be reset 0 : °C 1 : °F 2 : U (Linear signal)	2	0	---	SET6.3
PVFT		PV digital filter The PV filter is used to eliminate noise against the measured input Unit : second	10.00	0.01	2.00	SET6.4
PV2		Use for motor valve feedback value	---	---	---	SET7.1
OLD		Control action selection 0 : HEAT reverse action 1 : COOL direct action	COOL	HEAT	HEAT	SET7.2
OPAD		Super SV function enable 0 : OFF 1 : ON	ON	OFF	ON	SET7.3
HZ		Power frequency 0 : 50HZ 1 : 60HZ	50HZ	60HZ	60HZ	SET7.4

10.10 Level 4 (Setting Level) All Parameters Display



※ If no key is pressed within 60 seconds, it will automatically return to LEVEL 1 (user level) and display PV/SV

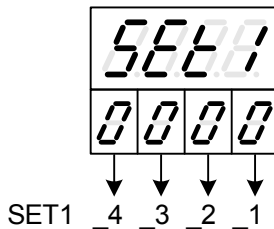
10.11 LEVEL_4 Parameter

Parameter	Symbol	Content	Range		Default	Hide/Display
			MAX	MIN		
SET1	SE01	Parameters Hide/Display	1111	0000	---	---
SET2	SE02	Parameters Hide/Display	1111	0000	---	---
SET3	SE03	Parameters Hide/Display	1111	0000	---	---
SET4	SE04	Parameters Hide/Display	1111	0000	---	---
SET5	SE05	Parameters Hide/Display	1111	0000	---	---
SET6	SE06	Parameters Hide/Display	1111	0000	---	---
SET7	SE07	Parameters Hide/Display	1111	0000	---	---
SET8	SE08	Parameters Hide/Display	1111	0000	---	---
SET9	SE09	Parameters Hide/Display	1111	0000	---	---

10.11 LEVEL_4 Parameter

Parameter	Symbol	Content	Range		Default	Hide/Display
			MAX	MIN		
SET0		Function enable/disable	1111	0000	---	---
INP2		Sub input type selection 0 : none 1 : 10~50mV / 4~20mA / 1~5V / 2~10V (remote SV use) 2 : 0~50mV / 0~20mA / 0~5V / 0~10V (remote SV use) 3 : valve feedback 4 : CT input	4	0	0	---
OUTY		Hardware drive selection 0 : single output control 1 : dual output control 2 : valve control with feedback 3 : valve control without feedback selection 4 : single phase control	4	0	0	---
PROG		Program function enable 0 : OFF , SV source from keypad or communication 1 : ON , SV source from program	ON	OFF	OFF	---

10.12 Parameters Hide/Display Table on Level 4



	SET1_1	0	Hide	OUTL
		1	Display	OUTL
	SET1_2	0	Hide	AT
		1	Display	AT
	SET1_3	0	Hide	AL1
		1	Display	AL1
	SET1_4	0	Hide	AL2
		1	Display	AL2
	SET2_1	0	Hide	AL3
		1	Display	AL3
	SET2_2	0	Hide	ANL1 ANH1 DP TRCL TRCH
		1	Display	ANL1 ANH1 DP TRCL TRCH
	SET2_3	0	Hide	LSPL USPL
		1	Display	LSPL USPL
	SET2_4	0	Hide	ANL2 ANH2
		1	Display	ANL2 ANH2
	SET3_1	0	Hide	ALD1
		1	Display	ALD1
	SET3_2	0	Hide	ALT1
		1	Display	ALT1
	SET3_3	0	Hide	ALD2
		1	Display	ALD2
	SET3_4	0	Hide	ALT2
		1	Display	ALT2
	SET4_1	0	Hide	ALD3
		1	Display	ALD3
	SET4_2	0	Hide	ALT3
		1	Display	ALT3
	SET4_3	0	Hide	HYSA
		1	Display	HYSA
	SET4_4	0	Hide	CLO1 CHO1
		1	Display	CLO1 CHO1

5555	SET5_1	0	Hide	CLO2 CHO2
		1	Display	CLO2 CHO2
	SET5_2	0	Hide	CLO3 CHO3
		1	Display	CLO3 CHO3
	SET5_3	0	Hide	RUCY WAIT SETA
		1	Display	RUCY WAIT SETA
	SET5_4	0	Hide	PSL BITS IDNO BAUD
		1	Display	PSL BITS IDNO BAUD

5556	SET6_1	0	Hide	SVOS
		1	Display	SVOS
	SET6_2	0	Hide	PVOS
		1	Display	PVOS
	SET6_3	0	Hide	UNIT
		1	Display	UNIT
	SET6_4	0	Hide	PVFT
		1	Display	PVFT

5557	SET7_1	0	Hide	PV2
		1	Display	PV2
	SET7_2	0	Hide	OULD
		1	Display	OULD
	SET7_3	0	Hide	OPAD
		1	Display	OPAD
	SET7_4	0	Hide	HZ
		1	Display	HZ

5558	SET8_1	0	Program not repeat		
		1	Program repeat		
	SET8_2	0	No power failure option		
		1	With power failure option		
	SET8_3	0	Program starts from 0		
		1	Program starts from PV		
	SET8_4	0	Hide	NOIS MLNB COMP OFFS	
		1	Display	NOIS MLNB COMP OFFS	

5559	SET9_1	0	Disable Artificial Linearization Compensating		
		1	Enable Artificial Linearization Compensating		
	SET9_2	0	Program Timer Unit = "Hour : Minute"		
		1	Program Timer Unit = "Minute : Second"		
	SET9_3	0	Disable transmission SV		
		1	Enable transmission SV		
	SET9_4	0	Disable transmission PV		
		1	Enable transmission PV		

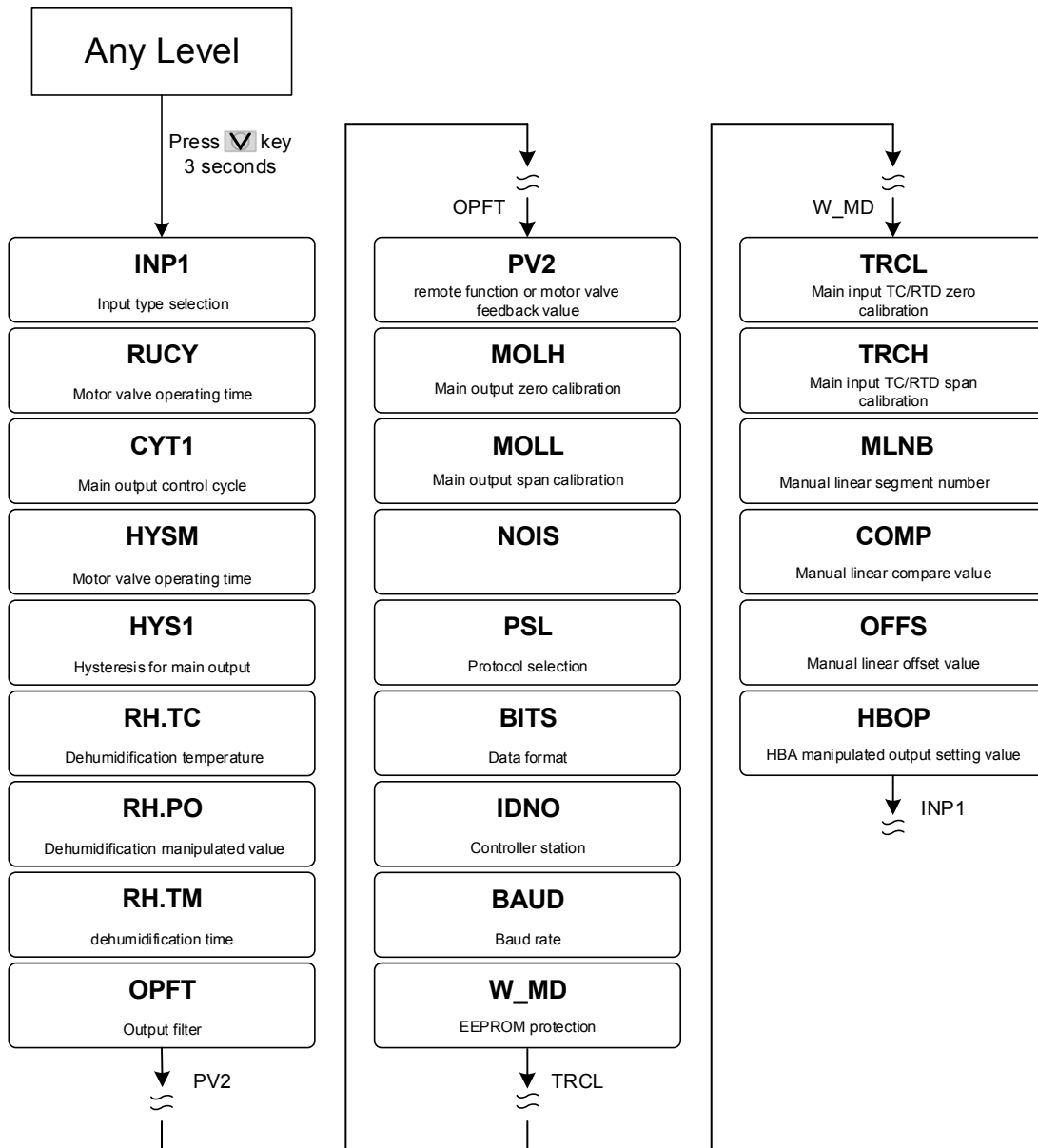
5560	SET0_1	0	TTL Communication (Slave)		
		1	TTL Communication (Master)		
	SET0_2	0	Hide	RATE	
		1	Display	RATE	
	SET0_3	0	Disable Remote SV function		
		1	Enable Remote SV function		
	SET0_4	0	use output relay "b" contact when motor valve closed		
		1	use output relay "a" contact when motor valve closed		

10.13 Fast Level All Parameters Display

FY/FA controller provides a fast parameter access operation, easy for users to quickly access communication group, program group, motor valve group related parameters

Enter fast level : press down key for 3 seconds

Leave fast level : press down key for 3 seconds



10.14 Fast Level Parameter

Parameter	Symbol	Content	Range		Default	Hide/Display
			MAX	MIN		
INP1		Main input type selection Change this parameter USPL&LSPL will be reset (please refer to Chapter 4 Input Range Table)	AN4	K1	K1	---
RUCY		Motor valve traveling time unit : second (Please refer to Chapter 11.6)	150	5	5	OUTY = 2 or 3
CYT1		Motor valve action interval time. unit : second	10	0	5	OUTY = 2 or 3
HYSM		Motor valve correction frequency. unit : percentage	5.0	0.0	0.2	OUTY = 2 or 3
HYS1		Motor valve correction action. unit : percentage	HYSM	0.0	0.1	OUTY = 2 or 3

10.14 Fast Level Parameter

Parameter	Symbol	Content	Range		Default	Hide/Display
			MAX	MIN		
RH.TC		Dehumidification temperature If PV less than RH.TC manipulated value = RHPO (Please refer to Chapter 11.5)	2000	00	1250	---
RH.PO		Dehumidification manipulated value 0 : OFF disable dehumidification function Other values : 0.1~100.0 manipulated value (Please refer to Chapter 11.5)	100.0	OFF	OFF	---
RH.TM		Dehumidification time time format : min.sec	99.59	0.00	15.00	---
OPFT		Output filter unit: second	10.00	0.10	2.00	---
PV2		Use for motor valve feedback value	---	---	---	OUTY=2
MOLH		High limit setting of manipulated value for main output	100.0	0.0	100.0	---
MOLL		low limit setting of manipulated value for main output	100.0	0.0	0.0	---
NOIS		reserve	9999	200	1000	SET8.4
PSL		Protocol selection 0 : TAIE 1 : RTU (Please refer to communication manual)	RTU	TAIE	RTU	SET5.4
BITS		Data format 0 : O_81 (parity bit=odd, stop bit=1) 1 : O_82 (parity bit=odd, stop bit=2) 2 : E_81 (parity bit=even, stop bit=1) 3 : E_82 (parity bit=even, stop bit=2) 4 : N_81 (parity bit=none, stop bit=1) 5 : N_82 (parity bit=none, stop bit=2)	N_82	O_81	O_81	SET5.4
IDNO		Controller station	254	0	1	SET5.4
BAUD		Baud rate 0 : 24(2400) 1 : 48(4800) 2 : 96(9600) 3 : 192(19200) 4 : 384(38400) 5 : 576(57600) 6 : 1152(115200) bps	1152	24	384	SET5.4
W_MD		EEPROM protection 0 : OFF communication write command only write to CPU RAM 1 : ON communication write command write to CPU RAM and EEPROM	ON	OFF	ON	SET5.4
TRCL		Main input TC/RTD zero calibration	9999	0	0	SET2.2
TRCH		Main input TC/RTD span calibration (hex display)	7FFF	0	5FFF	SET2.2
MLNB		Manual linear segment number	10	TRIP	TRIP	SET8.4
COMP		Manual linear compare value	USPL	LSPL	LSPL	SET8.4
OFFS		Manual linear offset value	150.0	-150.0	0.0	SET8.4
HBOP		Output percentage of trigger HBA	100.0	0.0	90.0	INP2=4 & ALD1=9

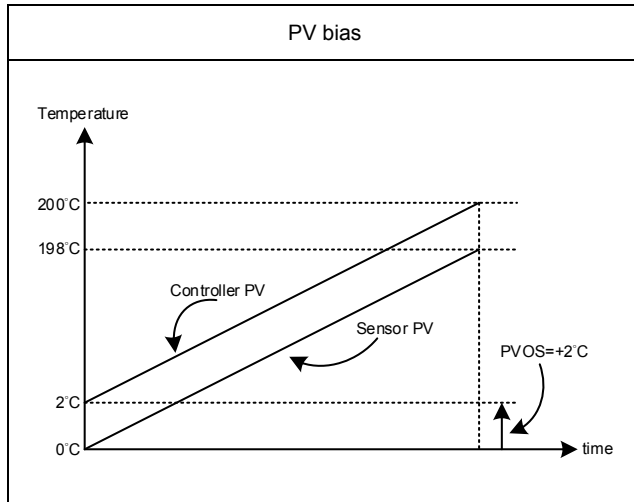
11. Functional Descriptions

11.1 PV bias

Description

The FY/FA series controller offers PV bias for input calibration, PV bias functions correct the deviation of each sensor, as well as PV difference between controllers.

Function Diagram



Parameter

Parameter	Symbol	Content	Range		Default	Level	Hide/Display
			MAX	MIN			
PVOS	<i>PVOS</i>	PV bias $PV = PV + PVOS$	100.0	-100.0	0	Level 3	SET6.2

Examples

PV bias (PV.OS) adds bias to the Measured value(PV):

When two controllers measure the temperature of the same type of load, the measured values of the respective characteristics of the sensors are displayed as

Controller A : 200°C Controller B : 195°C

As shown above, Controller B is compensated by PV offset (PV.OS) The PV.OS parameter value must be corrected by +5°C.

The display value will be changed to 200°C, Same as Controller A, but Controller B will show 5°C at 0°C.

Parameter setting

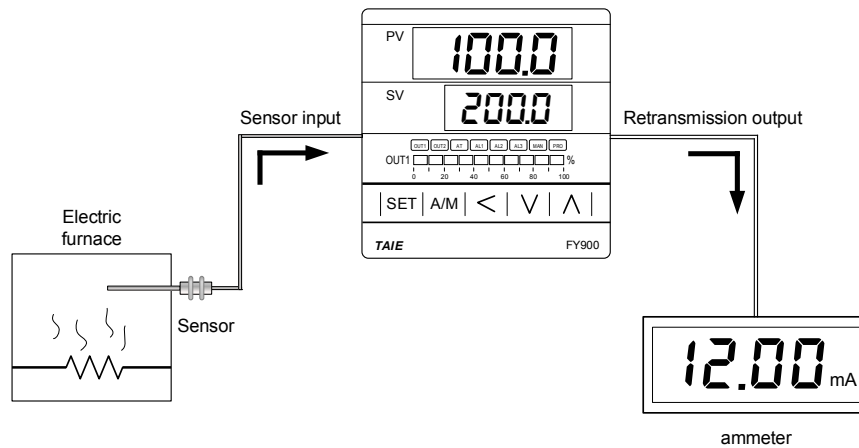
Level	Parameter	Set value	Description
4	SET6.2	1	Display PVOS
3	PVOS	5	PV adds +5°C

11.2 Retransmission

Description

The retransmission function of the FY/FA series controller can provide digital values for parameters such as SV or PV etc. Analog signals are transmitted to external devices according to the set range (EX: PLC AI module, inverter, etc.). transmission output signal selectable: 4~20mA, 0~20mA, 0~5V, 0~10V, 1~5V, 2~10V

Function Diagram



Parameter

Parameter	Symbol	Content	Range		Default	Level	Hide/Display
			MAX	MIN			
SET9.3	SEEE	0 : Retransmission SV disable 1 : Retransmission SV enable	1	0	0	Level 4	---
SET9.4	SEEE	0 : Retransmission PV disable 1 : Retransmission PV enable	1	0	0	Level 4	---
CLO3	LOO3	Retransmission zero calibration	9999	0	0	Level 3	SET5.2
CHO3	CHO3	Retransmission span calibration	9999	0	3600	Level 3	SET5.2

Examples

Assume the input range (LSPL & USPL) = -50.0~600.0 retransmit PV

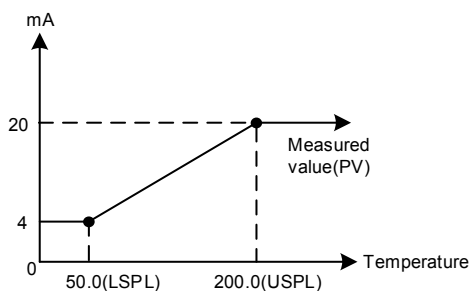
When the PV value is between -50.0 and 600.0, the retransmission signal is based on the PV value, and the linear output analog signal is presented.

When the PV is less than -50.0, the retransmission signal remains at 4mA

When the PV value is greater than 600.0, the retransmission signal remains at 20mA

Parameter setting

Level	Parameter	Set value	Description
3	SET9.4	1	Retransmission PV
3	CLO3	3133	Retransmission signal low point calibration value (each controller calibrate value is different)
3	CHO3	3508	Retransmission signal high point calibration value (each controller calibrate value is different)



Notes

- To order TRS function, please confirm the type of retransmission output signal and retransmit signal range.
- The user can select the source to be transmitted according to the parameter SET9.4 or SET9.3. The factory default is to retransmit the PV.
- Modify the parameter INP1/UNIT will reset the retransmission range.
- CLO3 & CHO3 are the calibration parameters of the re-transmission signal. It has been calibrated before leaving the factory. do not change this parameter value.
- The user only needs to set SET9.4 or SET9.3, the rest of the parameters will be set & calibrated at the factory.

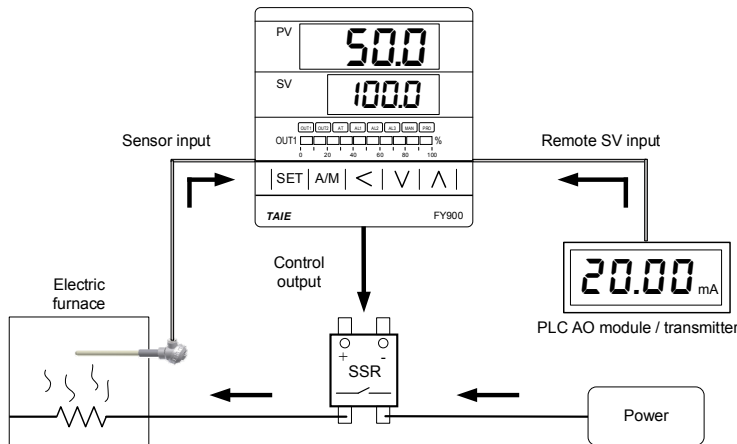
11.3 Remote SV

Description

Remote SV functions as an analog signal (4~20mA or 0~10V) generated by external devices (EX: PLC AO module, transmitter) to the Remote SV terminal of the controller, to change the SV with a preset range.

Remote SV signal selection: 4~20mA, 0~20mA, 0~5V, 0~10V, 1~5V, 2~10V

Function Diagram



Parameter

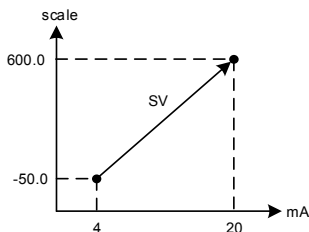
Parameter	Symbol	Content	Range		Default	Level	Hide/Display
			MAX	MIN			
SET0.3	SEED	0 : Remote SV disable 1 : Remote SV enable	1	0	0	Level 4	---
INP2	INP2	Sub input type selection 0 : none 1 : 10~50mV / 4~20mA / 1~5V / 2~10V (remote SV use) 2 : 0~50mV / 0~20mA / 0~5V / 0~10V (remote SV use) 3 : valve feedback 4 : CT input	4	0	0	Level 4	---
ANL2	ANL2	Sub input zero calibration	9999	-1999	0	Level 3	SET2.4
ANH2	ANH2	Sub input span calibration (hex display)	0x7FFF	0x0000	0x5FFF	Level 3	SET2.4

Examples

Input signal is K1 and its range is -50.0~600.0. When an external analog signal is input to the Remote SV terminal, the signal will be based on the range presents linear display of SV parameters

When the signal input value is less than 4mA, the PV position shows nnn2, indicating that the signal of Remote SV is lower than the lower limit value

When the signal input value is greater than 20mA, the PV position shows uuu2, indicating that the signal of Remote SV is higher than the upper limit value



Parameter setting

Level	Parameter	Set value	Description
4	SET0.3	1	Enable Remote SV function
4	INP2	1	Remote SV signal=4~20mA
3	ANL2	744	Remote SV signal low point calibration value (each controller calibrate value is different)
3	ANH2	0x657C	Remote SV signal high point calibration value (each controller calibrate value is different)

Notes

- To order Remote SV function, please confirm signal type and Remote SV input range first.
- Modify the parameter INP1 & UNIT will reset the input range
- The ANL2 and ANH2 are the calibration parameters of Remote SV. It has been calibrated before leaving the factory. Please do not change this parameter.

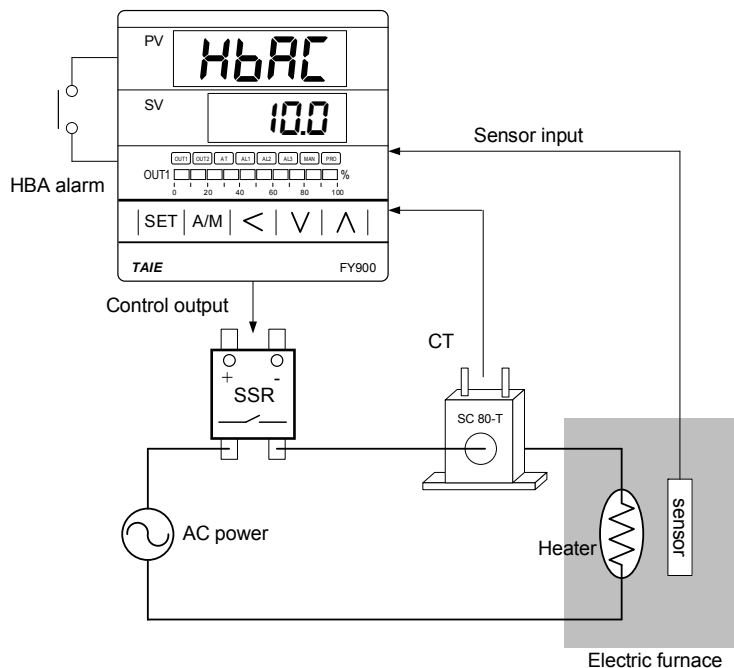
11.4 Heater Break Alarm

Description

The HBA (Heater-Break-Alarm) function measures the heater current and displays the measured current value on the parameter HBAC upper area so that the heater status can be monitored at any time.

When it is detected that the heater is disconnected or the heater current is abnormally reduced, an alarm message may be immediately output to notify the user.

Function Diagram



Parameter

Parameter	Symbol	Content	Range		Default	Level	Hide/Display
			MAX	MIN			
*HBAC	<i>HbAC</i>	HBA current setting value Upper : heater current display Down : current setting value unit : ampere(A)	100.0	0.0	1.0	Level 1	INP2=4 & ALD1=9
HBOP	<i>HbOP</i>	Output percentage of trigger HBA	100.0	0.0	90.0	Fast	---

* when ALD1=9, original AL1 become HBAC display

HBA operating conditions

1. Heater current is less than the setting of HBAC
2. OUT1 output exceeds HBOP setting value
3. The conditions of 1 & 2 above are established and continue to exceed 20 seconds

Examples

Heating system with SSR as control element, set HBAC=1.0(down display area)

1. The heater current display value HBAC = 0.0(upper display area), when a heater disconnection occurs
→ The heater current is less than the set value of HBAC=1.0. At this time, condition 1 is satisfied.
2. The heater no longer heats when the heater disconnection occurs, and the gap between the PV and SV will become larger and larger.
→ The manipulated value of OUT1 is also getting larger and larger, and eventually exceeds 90%. At this time, condition 2 is Satisfied, alarm_1 will be activated when both 1 & 2 conditions are met and continue for more than 20 seconds.

Parameter setting

Level	Parameter	Set value	Description
1	HBAC	1.0	HBA action current (Unit: A)
Fast	HBOP	90.0	When the output exceeds 90.0%
4	INP2	4	CT current input
3	ALD1	9	HBA Alarm
3	ANL2	-12	Current low-point calibration value (each controller calibrate value is different)
3	ANH2	0x4527	Current High-point calibration value (each controller calibrate value is different)

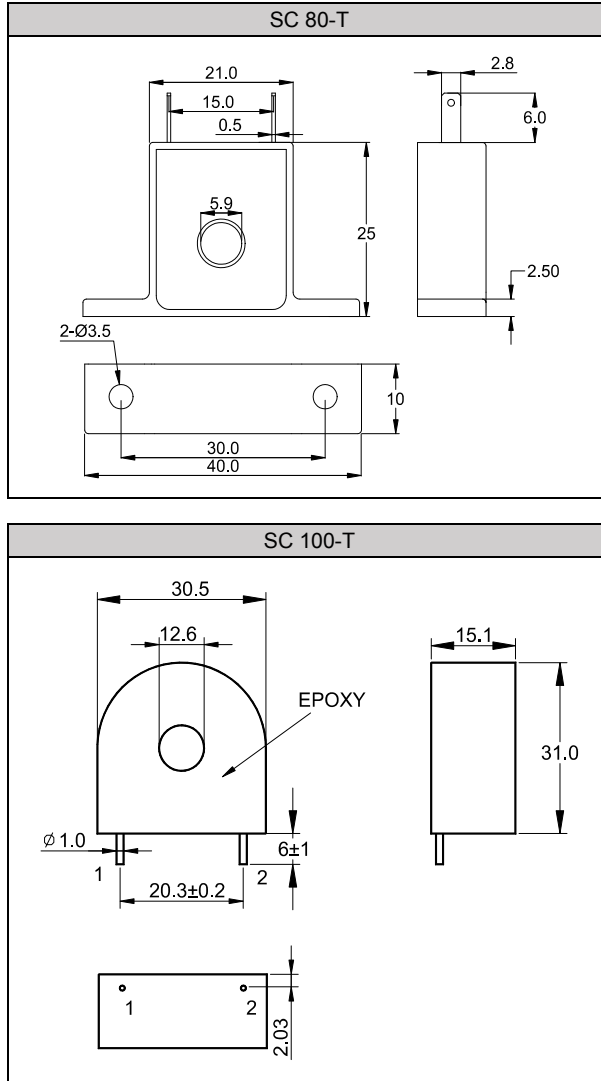
Notes

1. ANL2 & ANH2 is the current signal calibration parameters. It has been calibrated before leaving the factory. do not change these two parameters value.
2. The user only needs to set HBAC & HBOP, the rest of the parameters will be set & calibrated at the factory.
3. CT has two specifications: SC 80-T & SC 100-T. Please check heater wire diameter and specify required CT.

CT Specifications

Item	Specifications	
	SC 80-T	SC 100-T
Model number	SC 80-T	SC 100-T
Max. continuous current	80A	100A
Accuracy	3%	5%
Aperture	5.9mm	12.6mm
Dielectric Withstanding Voltage(Hi-pot)	2500Vrms / 1 minute	4000Vrms / 1 minute
Vibration resistance	50 HZ, 98 m/s ²	
Weight	Approx. 12 g	Approx. 30 g

Dimensions (UNIT : mm)

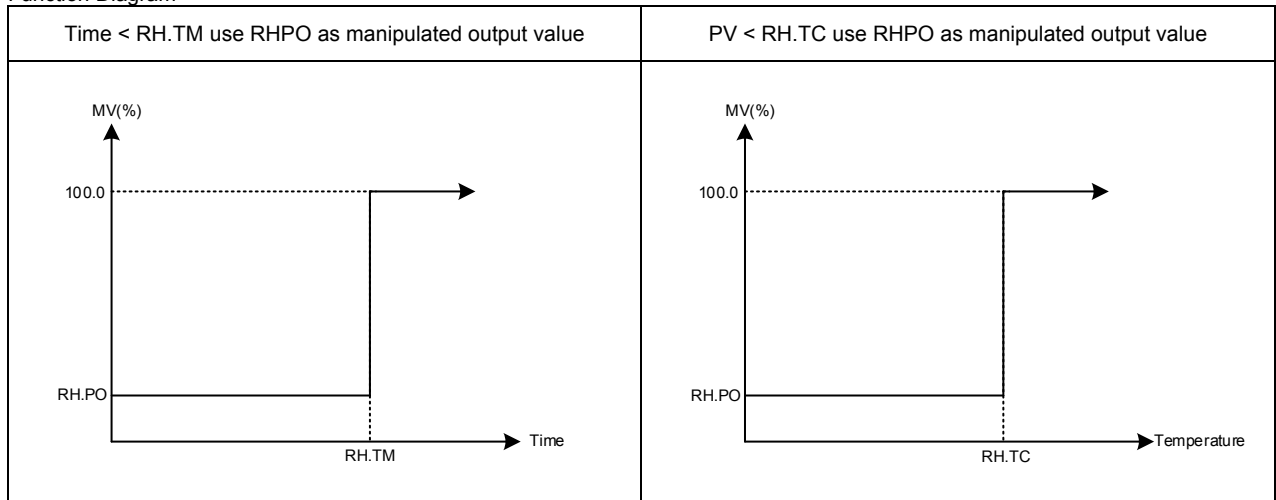


11.5 Dehumidification Function

Description

The FY/FA series controller provides dehumidification function to protect the heater. When the power is turned on, the heater is dehumidified with low power. When the dehumidification is completed, the normal power is output to the heater.

Function Diagram



Parameter

Parameter	Symbol	Content	Range		Default	Level	Hide/Display
			MAX	MIN			
RH.TC		Dehumidification temperature If PV less than RHTC manipulated value = RHPO	200.0	0.0	125.0	Fast	---
RH.PO		Dehumidification manipulated value 0 : OFF disable dehumidification function Other values : 0.1~100.0 manipulated value	100.0	OFF	OFF	Fast	---
RH.TM		Dehumidification time time format : min.sec	COTI	0.00	15.00	Fast	---

Example

After the controller is turned on, when the PV does not reach 50°C, manipulated value fixed in 20%. When the time exceeds 15 minutes or the PV is greater than 50°C, the controller will produce output of normal PID gain.

Parameter setting

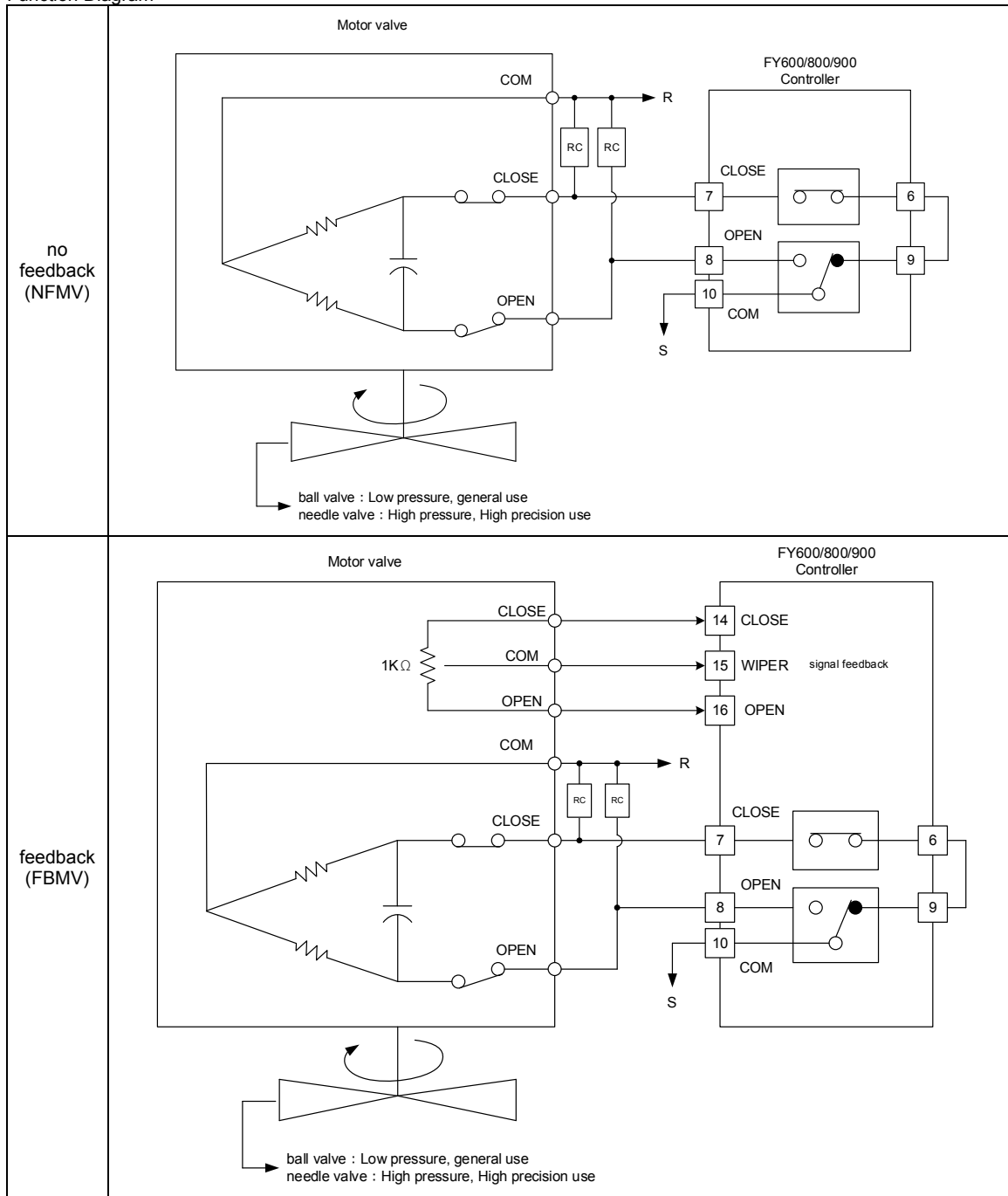
Level	Parameter	Set value	Description
1	SV	100.0	Target temperature
Fast	RH.TC	50.0	Execute de-humidifying function when PV is lower than this temperature
Fast	RH.PO	20.0	When executing dehumidification function the manipulated value fixed in 20%
Fast	RH.TM	15.00	Max dehumidification function time

11.6 Motor Valve Control

Description

FY/FA motor valve control function converts the control output value of the controller into the corresponding signal to control a motor driven valve and then performs temperature control of a controlled object by regulating fluid flow.

Function Diagram



Description of function

When the feedback resistance is provided

1. High/Low limit of valve position can be set.
2. The valve position can be manually changed.
3. Force valve close when feedback resistance input breaks .

When the feedback resistance is not provided:

1. Control motor operation can be restricted by the parameter "OUTL".
2. The UP/DOWN key is used to output opening or closing signal in manual mode
 - 2.1 UP key(open-side) : While the UP key is being pressed, open-side output (OUT1) is output continuously.
Releasing the UP key turns off the output on the open-side to hold the opened state at that time.
 - 2.2 DOWN key(close-side) : While the DOWN key is being pressed, close-side output (OUT2) is output continuously.
Releasing the DOWN key turns off the output on the closed-side to hold the opened state at that time.

Parameter

Parameter	Symbol	Content	Range		Default	Level	Hide/Display
			MAX	MIN			
PV2		Use for motor valve feedback value	---	---	---	Fast	OUTY =2
OUTY		Hardware drive selection 0 : single output control 1 : dual output control 2 : valve control with feedback 3 : valve control without feedback selection 4 : single phase control	4	0	0	Level 4	---
INP2		Sub input type selection 0 : none 1 : 10~50mV / 4~20mA / 1~5V / 2~10V (remote SV use) 2 : 0~50mV / 0~20mA / 0~5V / 0~10V (remote SV use) 3 : valve feedback 4 : CT input	4	0	0	Level 4	---
RUCY		Motor valve traveling time unit : second	150	5	5	Fast	OUTY = 2 or 3
CYT1		Motor valve Action interval time. Time unit : second	10	1	5	Fast	OUTY = 2 or 3
HYSM		Please setting this parameter in default value	5.0	0.0	0.2	Fast	OUTY = 2 or 3
HYS1		Please setting this parameter in default value	HYSM	0	0.1	Fast	OUTY = 2 or 3

Motor valve Initial Setting

1. Setting motor valve traveling time

Parameter	Symbol	Content	Default	Level
RUCY		Motor valve traveling time unit : second	5	Fast

Motor valve form close to open traveling time, no matter the controller has feedback resistance or not, be sure to set this parameter.

2. Setting valve action interval time

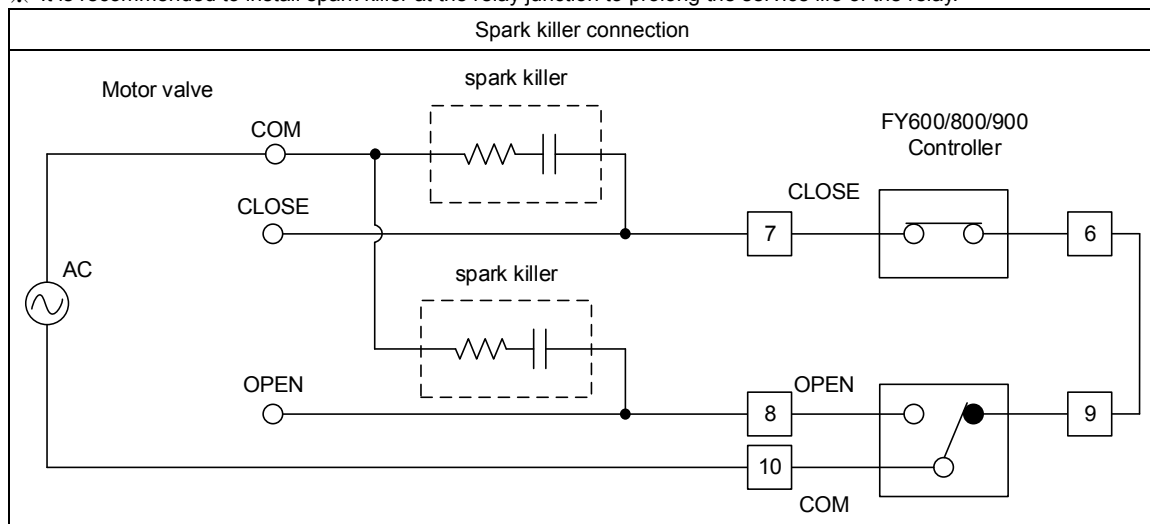
Parameter	Symbol	Content	Default	Level
CYT1		Valve open to close or close to open interval time. Time unit : second	5	Fast

EX1 : Setting CYT1=5, after executing current valve action, If the controller calculates that the valve needs to be closed for 2 seconds, controller will delay 5 seconds before performing close valve action

EX2 : Setting CYT1=7, after executing current valve action, If the controller calculates that the valve needs to be open for 3 seconds, controller will delay 7 seconds before performing open valve action

Notes

※ It is recommended to install spark killer at the relay junction to prolong the service life of the relay.



11.7 RAMP & SOAK

Description

The FY/FA series controller provides a single ramp and soak function, after booting completed, the SV starts to increase according to the set value of RAMP. when the soak condition is met the SOAK function will be executed according to the set value of SOAK, and driving the output and alarm to ON or OFF after the SOAK time is executed finish.

Parameter

Parameter	Symbol	Content	Range		Default	Level	Hide/Display
			MAX	MIN			
SOAK (AL1)		Alarm1 soak time Time format : hr.min	99.59	0.00	0.10	Level 1	ALD1=10 or ALD1=19
SOAK (AL2)		Alarm2 soak time Time format : hr.min	99.59	0.00	0.10	Level 1	ALD2=10 or ALD2=19
RAMP (AL3)		The rate of change during an SV ramp format : °C / minute	99.99	-19.99	99.99	Level 1	ALD3=9

※ when ALD1=10 or 19, original AL1 become SOAK display
when ALD2=10 or 19, original AL2 become SOAK display
when ALD3=9, original AL3 become RAMP display

Parameter	Set value	Description
ALDX	10 (SOAK_A)	Boot completed, the alarm is ON. When PV ≥ target SV start the soak timer, alarm and control function are turned OFF in soak time finish (In this mode, the time format is fixed to "hour.minute")
	19 (SOAK_B)	Boot completed, the alarm is OFF. when PV ≥ target SV start the soak timer, alarm is turned ON and the control function keep ON in soak time finish (In this mode, the time format is fixed to "hour.minute")

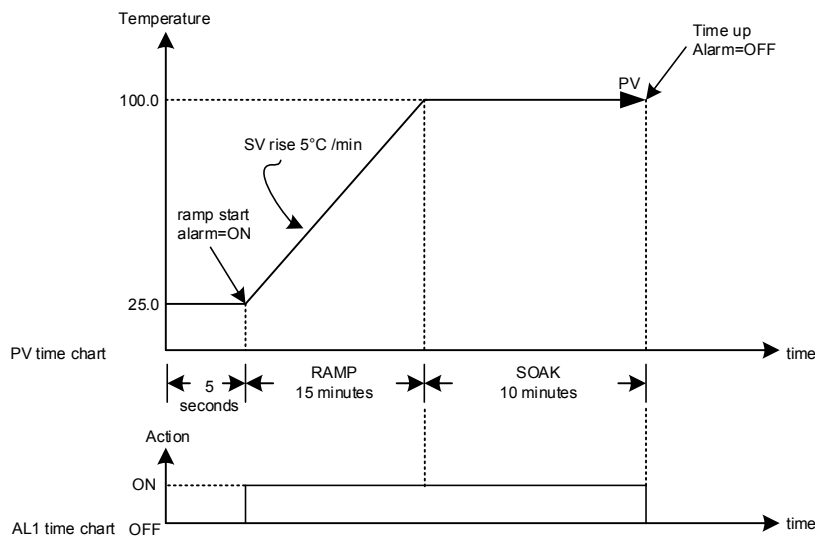
X : 1 / 2(SOAK function available in alarm1 or alarm2)

Example(1) Single RAMP+SOAK_A (ALD3=9 + ALD1=10)

Boot completed, the alarm1 is ON, SV rise 5.00°C per minute. when the PV reaches 100 °C, the temperature is kept for 10 minutes. after 10 minutes alarm1 and control function are turned OFF

Parameter setting

Level	Parameter	Set value	Description
1	SV	100.0	Target temperature
4	SET2.1	1	Display AL3
4	SET4.1	1	Display ALD3
3	ALD1	10	AL1 as soak timer
3	ALD3	9	Enable RAMP function
1	SOAK(AL1)	0.10	10 minute temperature maintain
1	RAMP(AL3)	5.00	5.00°C rise per minute

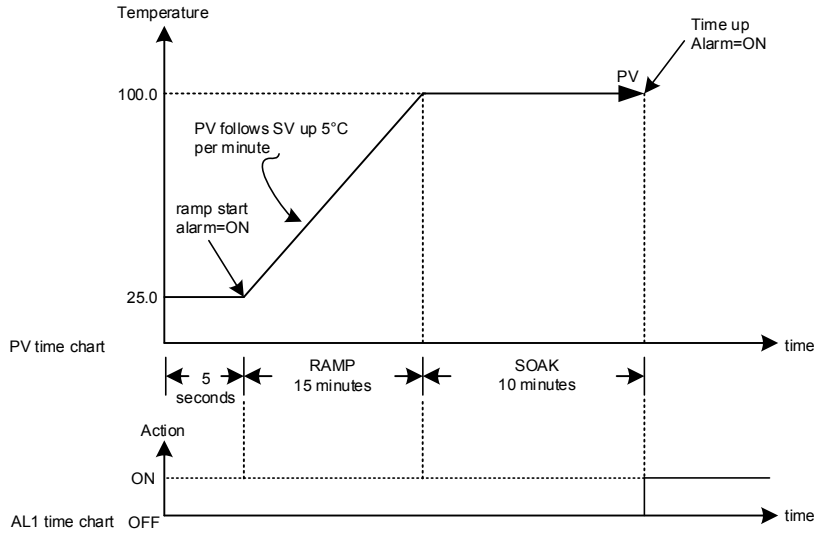


Example(2) Single RAMP+SOAK_B (ALD3=9 + ALD1=19)

Boot completed, the alarm1 is OFF, SV rise 5.00°C rise per minute. when the PV reaches 100 °C, the temperature is kept for 10 minutes. after 10 minutes alarm is turned ON and the control function keep ON

Parameter setting

Level	Parameter	Set value	Description
1	SV	100.0	Target temperature
4	SET2.1	1	Display AL3
4	SET4.1	1	Display ALD3
3	ALD1	19	AL1 as soak timer
3	ALD3	9	Enable RAMP function
1	SOAK(AL1)	0.10	10 minute temperature maintain
1	RAMP(AL3)	5.00	5.00°C rise per minute

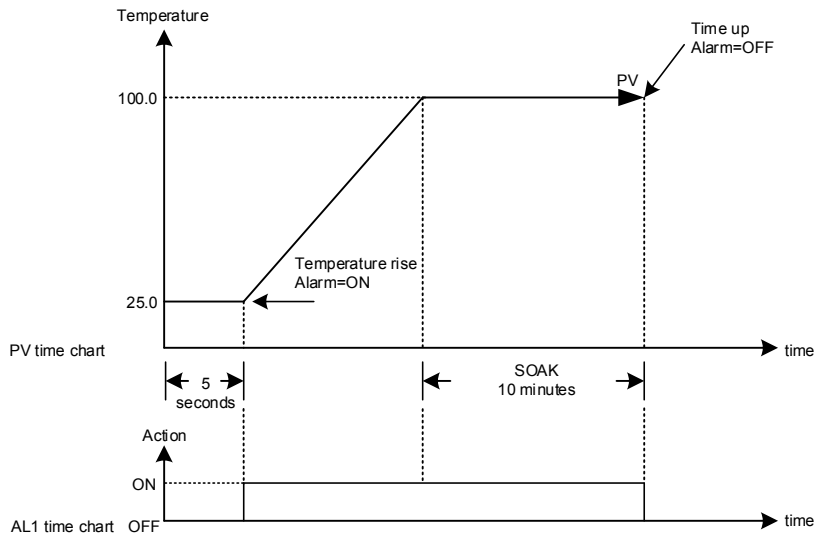


Example(3) only use SOAK_A (ALD1=10)

Boot completed, the alarm1 is ON, and the PV is directly controlled at 100 °C. when the PV reaches 100 °C, the temperature is kept for 10 minutes. after 10 minutes alarm1 and control function are turned OFF

Parameter setting

Level	Parameter	Set value	Description
1	SV	100.0	Target temperature
3	ALD1	10	AL1 as soak timer
1	SOAK(AL1)	00.10	10 minute temperature maintain

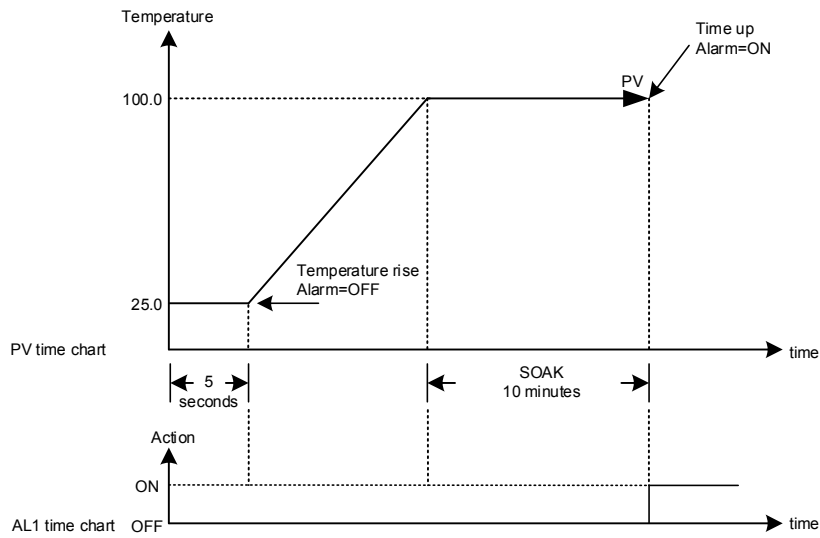


Example(4) only use SOAK_B (ALD1=19)

Boot completed, the alarm1 is OFF, and the PV is directly controlled at 100 °C. when the PV reaches 100 °C, the temperature is kept for 10 minutes. after 10 minutes alarm is turned ON and the control function keep ON

Parameter setting

Level	Parameter	Set value	Description
1	SV	100.0	Target temperature
3	ALD1	10	AL1 as soak timer
1	SOAK(AL1)	00.10	10 minute temperature maintain

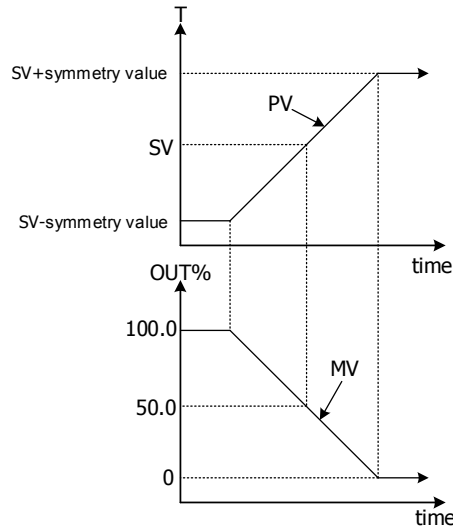


11.8 Proportional Control

Description

Proportional control is one of the simplest ways to control method, controller manipulated value proportional to input error signal, this chapter explains how to set related parameters.

Function Diagram



Parameter

Parameter	Symbol	Content	Range		Default	Level	Hide/Display
			MAX	MIN			
SV	---	Set value	USPL	LSPL	---	Level 1	---
P1		Main output proportional band 0.0 : ON/OFF control Other values : proportional band setting value	200.0	0.0	3.0	Level 2	---

Setting step

1. Determin proportional band range
2. Setting SV = proportional band midpoint
3. Calculate Error% = (symmetry value / full range) x 100
4. Calculate P value = (Error% x 2)

Example 1 :

INP1= K1(-50.0~600.0) PV<90.0 MV= 100% PV>100.0 MV= 0% when PV in 90.0~100.0 MV=proportional output
SV= ? P= ?

1. Proportional band = 90.0~100.0
2. SV= 95(proportional band midpoint)
3. Error% = (5.0/650.0) x100= 0.76923
4. P= 2 x 0.76923= 1.5384≈1.5

Example 2 :

INP1= K2(-50~1200) PV<80 MV= 100% PV>100 MV =0% when PV in 80.0~100.0 MV=proportional output
SV= ? P= ?

1. Proportional band =80~100.0
2. SV= 90(proportional band midpoint)
3. Error% = (10/1250) x100= 0.8
4. P= 2 x 0.8= 1.6

Example 3 :

INP1= PT1(-199.9~850.0) PV<95.0 MV= 100% PV>100.0 MV= 0% when PV in 95.0~100.0 MV=proportional output
SV= ? P= ?

1. Proportional band =95.0~100.0
2. SV= 97.5(proportional band midpoint)
3. Error% = (2.5/1049.9) x100= 0.2381
4. P= 2 x 0.2381= 0.4762≈0.5

Notes

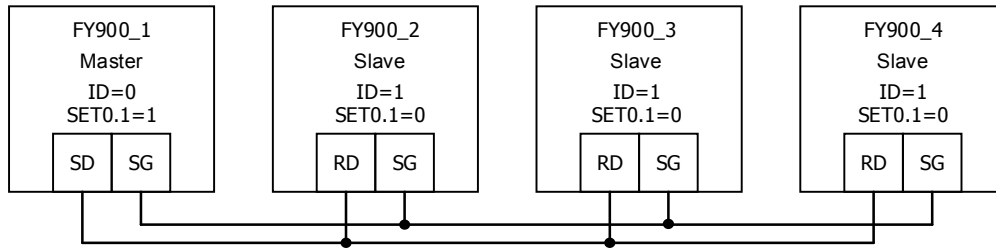
1. when using proportional control I1 and D1 must be set to 0
2. Full range please check Chapter 4 "Input Range Table"
3. Only using proportional control will eventually have a steady state error

11.9 Master-Slave communication

Description

Transmission master controller SV to slave controller SV, all slave controller SV can be consistent

Wiring



Parameter

Parameter	Symbol	Content	Range		Default	Level	Hide/Display
			MAX	MIN			
RATE	<i>RATE</i>	Slave SV rate RATE SV = SV x (RATE/9999)	9999	0	9999	Level 1	SET2.1 & SET0.2
PSL	<i>PSL</i>	Protocol selection 0 : TAIE 1 : RTU (Please refer to communication manual)	RTU	TAIE	RTU	Level 3	SET5.4
BITS	<i>BITS</i>	Data format 0 : O_81 (parity bit=odd, stop bit=1) 1 : O_82 (parity bit=odd, stop bit=2) 2 : E_81 (parity bit=even, stop bit=1) 3 : E_82 (parity bit=even, stop bit=2) 4 : N_81 (parity bit=none, stop bit=1) 5 : N_82 (parity bit=none, stop bit=2)	N_82	O_81	O_81	Level 3	SET5.4
IDNO	<i>IDNO</i>	Controller station	254	0	1	Level 3	SET5.4
BAUD	<i>BAUD</i>	Baud rate 0 : 24(2400) 1 : 48(4800) 2 : 96(9600) 3 : 192(19200) 4 : 384(38400) 5 : 576(57600) 6 : 1152(115200) bps	1152	24	384	Level 3	SET5.4
SET0.1	<i>SET0</i>	0 : TTL Communication (Slave) 1 : TTL Communication (Master)	1	0	0	Level 4	---
SET0.2	<i>SET0</i>	0 : RATE hide 1 : RATE display	1	0	0	Level 4	---

Master controller setting step

1. IDNO= 0 、 PSL= TAIE
2. BITS= O_81 、 BAUD= 9600
3. SET0.1= 1
4. SET0.2= 0
5. After completing the above steps, master controller start to transmit SV to slave controller SV

Slave controller setting step

1. IDNO= 1 、 PSL= TAIE
2. BITS= O_81 、 BAUD= 9600
3. SET0.1= 0
4. SET0.2= 1
5. RATE= 9999
6. After completing the above steps, slave controller start to receive master controller SV

Notes

1. After adding master-slave communication, RS-485 communication not available
2. Master-slave communication only available in TAIE protocol(PSL= TAIE)
3. Master controller does not use parameter RATE, to attenuate the SV received by slave controller just adjust parameter RATE
4. Master controller can connect up to 10 slave controllers, and the wiring between every controller should not exceed 1 meter.

11.10 Piece Linear Compensation

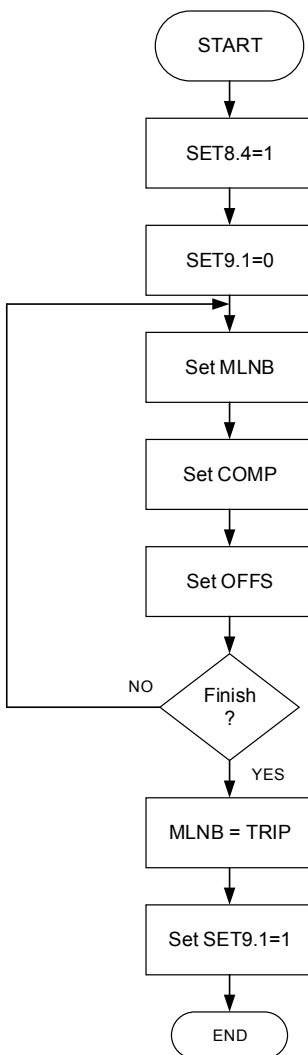
Description

When the analog input signal source is nonlinear, using piece linear compensation method to compensate this signal, make it linearity

Parameter

Parameter	Symbol	Content	Range		Default	Level	Hide/Display
			MAX	MIN			
MLNB		Piece linear compensation segment select TRIP : leave setting loop 1~10 : segment select	10	TRIP	TRIP	Fast	SET8.4
COMP		Piece linear compare value	USPL	LSPL	LSPL	Fast	SET8.4
OFFS		Piece linear offset value	150.0	-150.0	0.0	Fast	SET8.4
SET8.1		0 : MLNB, COMP, OFFS hide 1 : MLNB, COMP, OFFS display	1	0	0	Level 4	---
SET9.1		0 : Disable piece linear compensation 1 : Enable piece linear compensation	1	0	0	Level 4	---

Edit flow-chart



Set MLNB

Parameter	LED display	Description	Default	Level
MLNB		Piece linear compensation segment select TRIP : leave setting loop 1~10 : segment select	TRIP	Fast

When MLNB≠TRIP the display loop in MLNB → COMP → OFFS

When MLNB=TRIP leave piece linear compensation parameter loop

Set COMP

Parameter	LED display	Description	Default	Level
COMP	<i>COMP</i>	Piece linear compensation compare value	LSPL	Fast

When non-linear signal value within the set value of COMP, it needs to be compensated.

First COMP set value=LSPL

First COMP set value=USPL

Set OFFS

Parameter	LED display	Description	Default	Level
OFFS	<i>OFFS</i>	Piece linear compensation offset value	0.0	Fast

When non-linear signal value within the set value of COMP, OFFS use for increase or decrease original non-linear signal

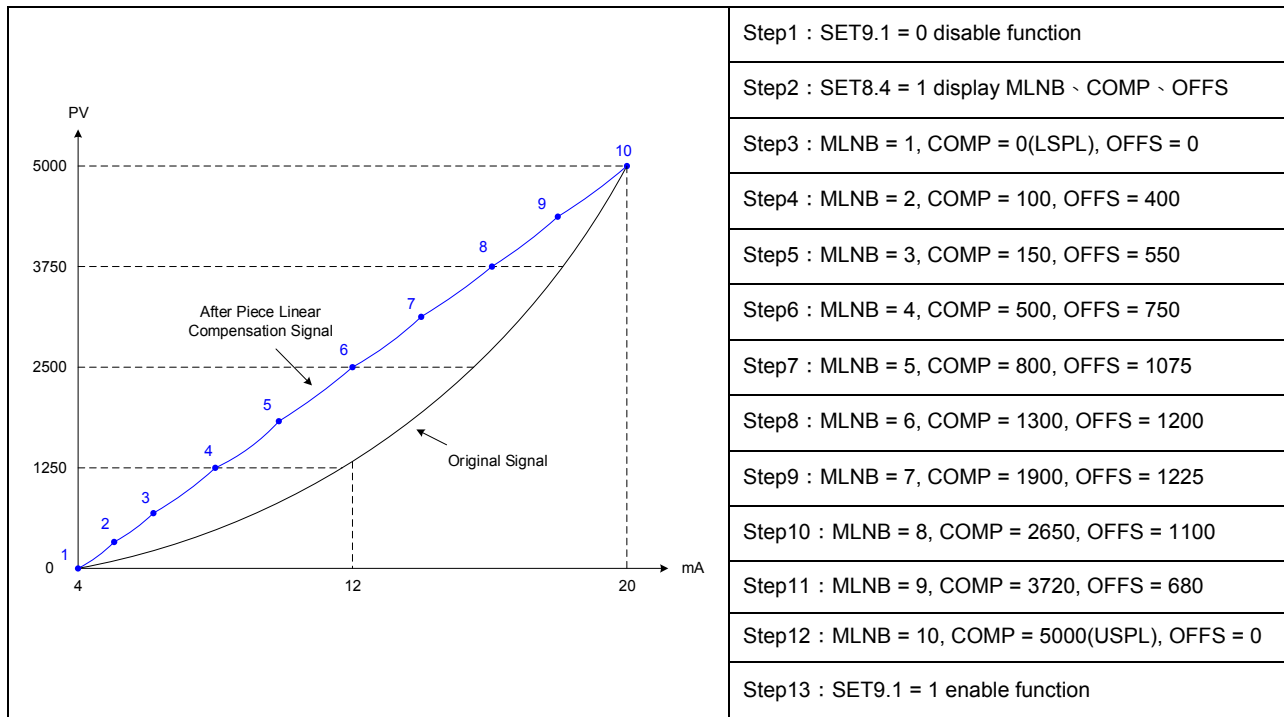
Example1: Assume signal source is a nonlinear signal within 320 °C, and the controller is set to correct at three temperature points.

- (1) When the temperature is 95°C, it needs to be corrected by +5°C.
- (2) When the temperature is 185°C, it needs to be corrected by +15°C.
- (3) When the temperature is 320°C, it needs to be corrected by +30°C.

- Step 1: Set SET8.4=1 and SET9.1=0
 Step 2: Set MLNB = 1, COMP = LSPL, OFFS = 0
 Step 3: set MLNB = 2, COMP = 95, OFFS = 5
 Step 4: Set MLNB = 3, COMP = 185, OFFS = 15
 Step 5: Set MLNB = 4, COMP = 320, OFFS = 30
 Step 6: Set MLNB = 5, COMP = USPL, OFFS = 0
 Step 7: Set MLNB = TRIP and SET9.1=1

Example2

Input signal 4~20mA, range 0~5000, the input signal is nonlinear (as shown in the figure below), use 10 points piece linear compensation

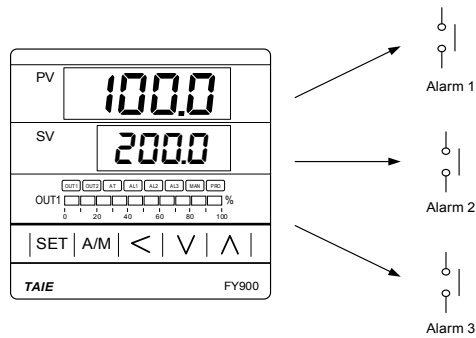


12. Alarm Action

Description

The FY/FA series controller can support up to three sets of alarm functions. Each set of alarms has 19 mode. Users can choose the most suitable alarm mode according to their needs for system protection or application.

Function Diagram



Parameter

Parameter	Symbol	Content	Range		Default	Level	Hide/Display
			MAX	MIN			
AL1	<i>AL1</i>	Alarm1 set value	9999	-1999	1.0	Level 1	SET1.3
AL2	<i>AL2</i>	Alarm2 set value	9999	-1999	1.0	Level 1	SET1.4
AL3	<i>AL3</i>	Alarm3 set value	9999	-1999	1.0	Level 1	SET2.1
ALD1	<i>ALD1</i>	Alarm1 mode selection	19	0	11	Level 3	SET3.1
ALT1	<i>ALT1</i>	Alarm1 time setting 0 : Flicker 99.59 : Continued ON 0.01~99.58 : delay time Time format : min . sec	99.59	0.00	99.59	Level 3	SET3.2
ALD2	<i>ALD2</i>	Alarm2 mode selection (Please refer to Chapter 12.1 Alarm Mode)	19	0	11	Level 3	SET3.3
ALT2	<i>ALT2</i>	Alarm2 time setting 0 : Flicker 99.59 : Continued ON 0.01~99.58 : delay time Time format : min . sec	99.59	0.00	99.59	Level 3	SET3.4
ALD3	<i>ALD3</i>	Alarm3 mode selection (Please refer to Chapter 12.1 Alarm Mode)	18	0	11	Level 3	SET4.1
ALT3	<i>ALT3</i>	Alarm3 time setting 0 : Flicker 99.59 : Continued ON 0.01~99.58 : delay time Time format : min . sec	99.59	0.00	99.59	Level 3	SET4.2
HYSA	<i>HYSA</i>	Hysteresis setting for alarm1~3	100.0	-100.0	1.0	Level 3	SET4.3
SETA	<i>SETA</i>	Alarm special function setting (Please refer to Chapter 12.2)	1111	0000	0000	Level 3	SET5.3

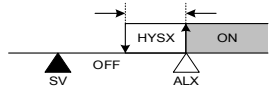
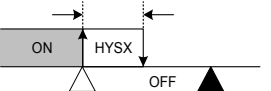
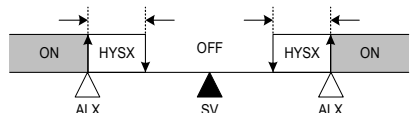
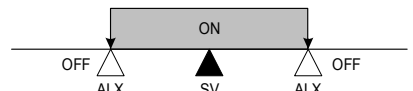
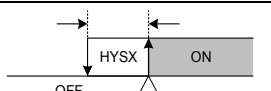
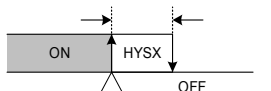
12.1 Alarm Mode

▲ : SV △ : Alarm set value X : 1 / 2 / 3 (There are up to 3 sets of alarms)

ALDX	Alarm mode	Description
0	No alarm function	Not drive any alarm relays and the corresponding LED lamp.
1	Deviation high (With hold action)	
		Formula $PV \geq (SV+ALX) \rightarrow \text{Alarm ON}$ $PV \leq (SV+ALX-HYSX) \rightarrow \text{Alarm OFF}$
2	Deviation low (With hold action)	<p>*ALX must be set to a negative value</p>
		Formula $PV \leq (SV+ALX) \rightarrow \text{Alarm ON}$ $PV \geq (SV+ALX+HYSX) \rightarrow \text{Alarm OFF}$
3	Deviation high/low (With hold action)	
		Formula $PV \geq (SV+ALX) \rightarrow \text{Alarm ON}$ $PV \leq (SV-ALX) \rightarrow \text{Alarm ON}$ $PV \geq (SV-ALX+HYSX) \rightarrow \text{Alarm OFF}$ $PV \leq (SV+ALX-HYSX) \rightarrow \text{Alarm OFF}$
4	Band (With hold action)	
		Formula $PV \leq (SV+ALX) \rightarrow \text{Alarm ON}$ $PV > (SV-ALX) \rightarrow \text{Alarm ON}$ $PV \geq (SV+ALX) \rightarrow \text{Alarm OFF}$ $PV < (SV-ALX) \rightarrow \text{Alarm OFF}$
5	Process high (With hold action)	
		Formula $PV \geq ALX \rightarrow \text{Alarm ON}$ $PV \leq (ALX-HYSX) \rightarrow \text{Alarm OFF}$
6	Process low (With hold action)	
		Formula $PV \leq ALX \rightarrow \text{Alarm ON}$ $PV \geq (ALX+HYSX) \rightarrow \text{Alarm OFF}$
7	Segment execute alarm	When SEG=ALX alarm ON *This mode only available in program type controller
8	System error	The Alert action, when PV displays error message
9	HBA (Heater Break Alarm)	Activated conditions : 1. Heater current is less the HBAC set value 2. OUT1 manipulated value exceed HBOP set value 3. Conditions of 1 & 2 above are established and continue to exceed 20 seconds. *Please refer to Chapter 11.4 *This mode only available in ALD1 or ALD2
	Single RAMP	Please refer to Chapter 11.7 This mode only available in ALD3

12.1 Alarm Mode

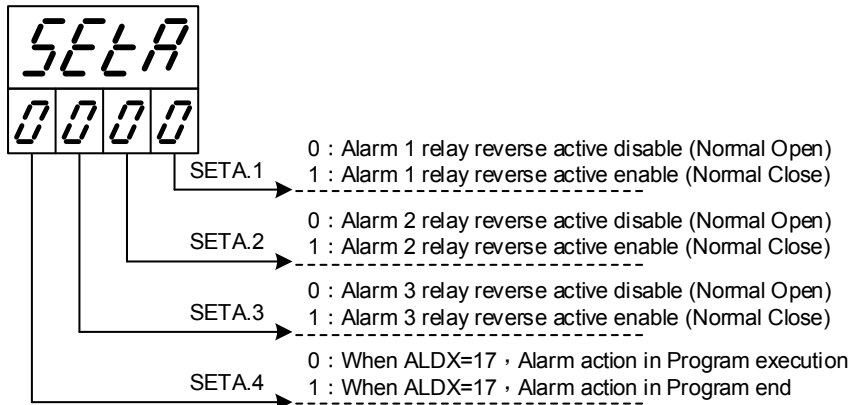
▲ : SV △ : Alarm set value X : 1 / 2 / 3 (There are up to 3 sets of alarms)

ALDX	Alarm mode	Description
10	SOAK_A	<p>Boot completed, the alarm is ON, when $PV \geq \text{target SV}$ start the timer, alarm and control function are turned OFF in timed out.</p> <p>If the RAMP function is used, even if the RAMP SV has not reached the target SV, the timer will start counting as long as the condition $PV \geq \text{target SV}$ is met.</p> <p>*Please refer to Chapter 11.7 *This mode only available in ALD1 or ALD2 *In this mode, the time format is fixed to "hour.minute"</p>
11	Deviation high	 <p>Formula</p> $PV \geq (SV+ALX) \rightarrow \text{Alarm ON}$ $PV \leq (SV+ALX-HYSA) \rightarrow \text{Alarm OFF}$
12	Deviation low	 <p>*ALX must to be set to a negative value</p> <p>Formula</p> $PV \leq (SV+ALX) \rightarrow \text{Alarm ON}$ $PV \geq (SV+ALX+HYSA) \rightarrow \text{Alarm OFF}$
13	Deviation high/low	 <p>Formula</p> $PV \geq (SV+ALX) \rightarrow \text{Alarm ON}$ $PV \leq (SV-ALX) \rightarrow \text{Alarm ON}$ $PV \geq (SV-ALX+HYSA) \rightarrow \text{Alarm OFF}$ $PV \leq (SV+ALX-HYSA) \rightarrow \text{Alarm OFF}$
14	Band	 <p>Formula</p> $PV \leq (SV+ALX) \rightarrow \text{Alarm ON}$ $PV > (SV-ALX) \rightarrow \text{Alarm ON}$ $PV \geq (SV+ALX) \rightarrow \text{Alarm OFF}$ $PV < (SV-ALX) \rightarrow \text{Alarm OFF}$
15	Process high	 <p>Formula</p> $PV \geq ALX \rightarrow \text{Alarm ON}$ $PV \leq (ALX-HYSA) \rightarrow \text{Alarm OFF}$
16	Process low	 <p>Formula</p> $PV \leq ALX \rightarrow \text{Alarm ON}$ $PV \geq (ALX+HYSA) \rightarrow \text{Alarm OFF}$
17	Program run	<p>SETA.4=0 When program execution, alarm action SETA.4=1 When program end, alarm action *This mode only available in program type controller</p>
18	System normal	The Alert action, when system in normal condition (no-error message)

12.1 Alarm Mode

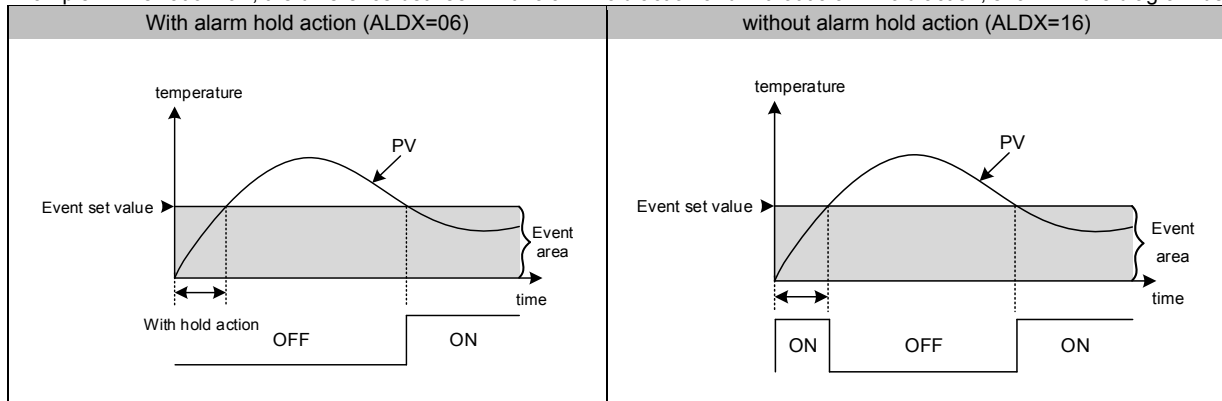
ALDX	Alarm mode	Description
19	SOAK_B	<p>Boot completed, the alarm is OFF, when $PV \geq \text{target SV}$ start the timer, alarm is turned ON and the control function keep ON in timed out.</p> <p>If the RAMP function is used, even if the RAMP SV has not reached the target SV, the timer will start counting as long as the condition $PV \geq \text{target SV}$ is met.</p> <p>*Please refer to Chapter 11.7 *This mode only available in ALD1 or ALD2 *In this mode, the time format is fixed to "hour.minute"</p>

12.2 Alarm Special Setting



12.3 Alarm Example

Example 1 : Deviation low, the difference between With alarm hold action and without alarm hold action, shown in the diagram below

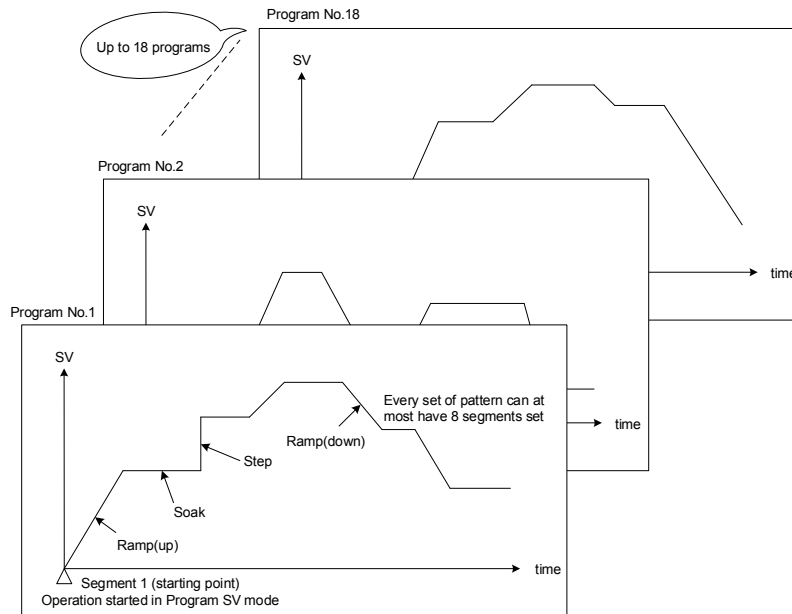


13. Programmable

Description

Programmable function is SV function that is variable to time, as user can set SV value to their needs according to time-based variation curve, which is called program setting

1. There are at most 18 sets of pattern setting
2. Every set of pattern can at most have 8 segments
3. Every segment include 4 settings such as ramp, soak, step and continue
4. Pattern can be randomly linked up, as each pattern of program contains 144 segment, at most.



13.1 Parameter

Parameter	Symbol	Content	Range		Default	Level	Hide/Display
			MAX	MIN			
PTN		Program pattern selection 1~18	18	1	1	Level 1	PROG=ON
SEG		Current program segment display	8	1	1	Level 1	PROG=ON
TIMR		Current segment remain time display Upper area : display current segment remain time Down area : display current segment executed time	99.59	0.00	0.00	Level 1	PROG=ON
SV_1		Segment 1 SV	USPL	LSPL	0.0	Level 1	PROG=ON
TM_1		Segment 1 execute time setting, this parameter determines the link between segment and segment or pattern and pattern END(-1) : program end in this segment 0.00 : program step change in this segment 0.01~99.58 : program in this segment execute time 99.59 : program continue execute this segment no end	99.59	-1	0.00	Level 1	PROG=ON
OUT1		Segment 1 output limit	100.0	0.0	100.0	Level 1	PROG=ON
SV_2		Segment 2 SV	USPL	LSPL	0.0	Level 1	PROG=ON
TM_2		Segment 2 execute time setting	99.59	-1	0.00	Level 1	PROG=ON
OUT2		Segment 2 output limit	100.0	0.0	100.0	Level 1	PROG=ON
SV_3		Segment 3 SV	USPL	LSPL	0.0	Level 1	PROG=ON
TM_3		Segment 3 execute time setting	99.59	-1	0.00	Level 1	PROG=ON
OUT3		Segment 3 output limit	100.0	0.0	100.0	Level 1	PROG=ON

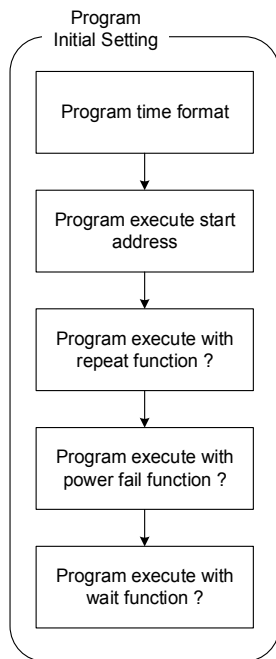
13.1 Parameter

Parameter	Symbol	Content	Range		Default	Level	Hide/Display
			MAX	MIN			
SV_4		Segment 4 SV	USPL	LSPL	0.0	Level 1	PROG=ON
TM_4		Segment 4 execute time setting	99.59	-1	0.00	Level 1	PROG=ON
OUT4		Segment 4 output limit	100.0	0.0	100.0	Level 1	PROG=ON
SV_5		Segment 5 SV	USPL	LSPL	0.0	Level 1	PROG=ON
TM_5		Segment 5 execute time setting	99.59	-1	0.00	Level 1	PROG=ON
OUT5		Segment 5 output limit	100.0	0.0	100.0	Level 1	PROG=ON
SV_6		Segment 6 SV	USPL	LSPL	0.0	Level 1	PROG=ON
TM_6		Segment 6 execute time setting	99.59	-1	0.00	Level 1	PROG=ON
OUT6		Segment 6 output limit	100.0	0.0	100.0	Level 1	PROG=ON
SV_7		Segment 7 SV	USPL	LSPL	0.0	Level 1	PROG=ON
TM_7		Segment 7 execute time setting	99.59	-1	0.00	Level 1	PROG=ON
OUT7		Segment 7 output limit	100.0	0.0	100.0	Level 1	PROG=ON
SV_8		Segment 8 SV	USPL	LSPL	0.0	Level 1	PROG=ON
TM_8		Segment 8 execute time setting	99.59	-1	0.00	Level 1	PROG=ON
OUT8		Segment 8 output limit	100.0	0.0	100.0	Level 1	PROG=ON
WAIT		Program execution standby temperature 0 : when program execute do not wait for PV temperature Other values : when PV= (target SV-WAIT), program entering next segment	1000	0	0	Level 1	SET5.3
SET8.1		Program execute repeat 0 : disable repeat function 1 : Program execute repeat	1	0	0	Level 4	---
SET8.2		Program execute power fail protection 0 : disable power fail protection 1 : enable power fail protection	1	0	0	Level 4	---
SET8.3		Program execute start address 0 : execute from zero 1 : execute from current PV,cut time	1	0	0	Level 4	---
SET9.2		Program time format 0 : hour.minute 1 : minute.second	1	0	0	Level 4	---

13.2 Key Operation Description

Functions	Keys	Description
Run		Eexecuting program, PRO_LED lamp ON, Upper area shows 3 times "RUN" messages.
Halt		Pause executing program, PRO_LED lamp remains ON, at this moment upper area will display current temperature value and "HALT" message alternately.
Jump		Jump to the next segment, and it can skip segment continuously.
		Holding UP key and press SET key 1 time to skip 1 segment, press SET key 2 times to skip 2 segments, so on and so forth.
Reset		Stop executing program, PRO_LED lamp OFF, Upper area shows 3 times "REST" messages.
PV/SV monitor		Press the A / M key for 2 seconds jump to the parameter OUTL, then pressing the A / M key for 2 seconds return to PV / SV monitor.

13.3 Program Initial Setting



1. Setting program time format

Parameter	LED display	Description	Default	Level
SET9.2	SEET9	Program time format 0 : hour.minute 1 : minute.second	0	Level 4

This parameter determines the time format of timer during program execution
 When SET9.2 =0 , TM_n=33.23, it indicates that the execution time of this segment is 33 hours and 23 minutes
 When SET9.2 =1 , TM_n=33.23, it indicates that the execution time of this segment is 33 minutes and 23 seconds

2. Setting program execute start address

Parameter	LED display	Description	Default	Level
SET8.3	SEET8	Program execute start address 0 : execute from zero 1 : execute from current PV, cut time	1	Level 4

When program starts, SV initial value will execute according to SET8.3 set value
 (1) SET8.3 =0, PTN=1 PV=50.0 SV_1=100 TM_1=1.00(1 hour)
 When program starts, SV will start to execute from 0.0, and SV shall reach SV_1 in one hour
 (2) SET8.3 =0, PTN=1 PV=50.0 SV_1=100 TM_1=1.00(1 hour)
 When program starts, SV will start to execute from PV temperature of 50.0, while controller will deduct the time taken to go from 0.0 to 50.0, and SV shall reach SV_1 in half hour

3. Setting program execute with repeat function

Parameter	LED display	Description	Default	Level
SET8.1	SEET8	Program execute repeat 0 : disable repeat function 1 : Program execute repeat	0	Level 4

When program completes the execution of the final segment, and "END" message is not shown, the program will be executed again.

4. Setting program execute with power failure protection function

Parameter	LED display	Description	Default	Level
SET8.2	SEET8	Program execute power fail protection 0 : disable power fail protection 1 : enable power fail protection	0	Level 4

power failure during program execution, if there is power failure protection function set, controller will execute current segment program after booting finish
 Assume power failure occurring in the segment_4, ramp temperature from 100°C to 200°C, and power failure occurring at SV=125, the program will execute from 100°C (segment_4), after controller booting finish

5. Setting program execute with wait function

Parameter	LED display	Description	Default	Level
WAIT		Program execution standby temperature 0 : when program execute do not wait for PV temperature Other values : when PV=(target SV-WAIT), program entering next segment	0.0	Level 3

When program executes, if WAIT=0.0, and SV reaches set temperature, whether PV reaches target temperature or not, the controller will enter the next segment

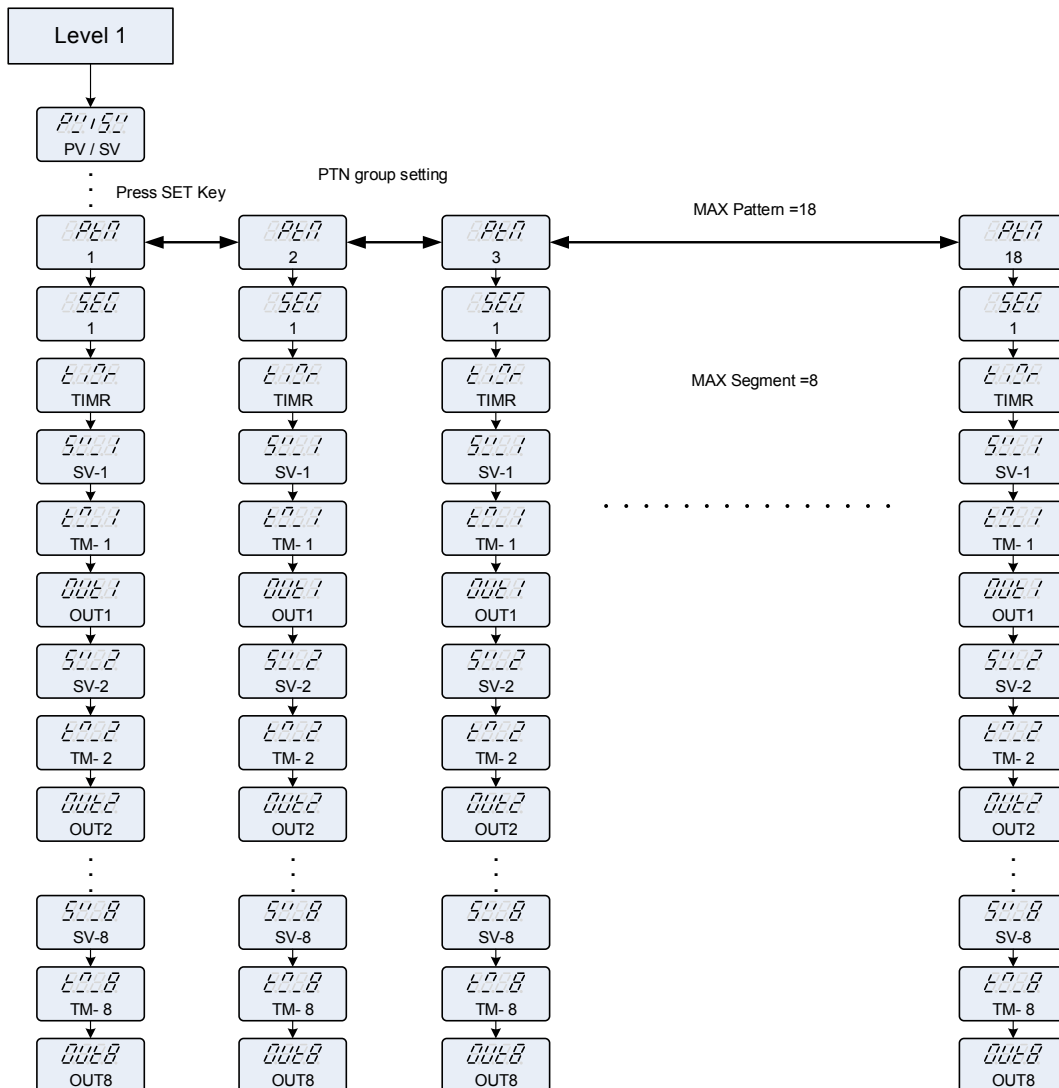
When program executes, if WAIT value is not 0.0, and SV reaches set temperature, as PV has not reached target temperature, controller will wait for PV temperature to reach SV-WAIT

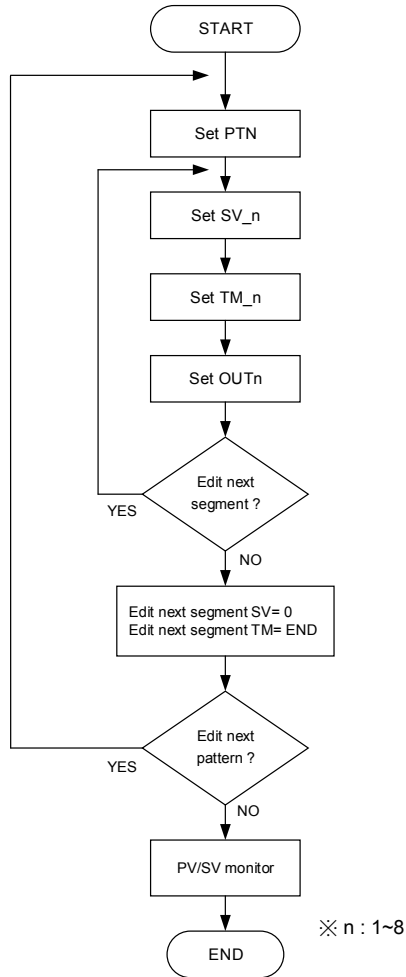
- (1) WAIT = 0.0 without wait function set
Assume the set temperature of current segment is 100.0°C, and as SV reaches the set temperature of this segment, the controller will enter the next segment
- (2) WAIT = 5.0 with wait function set
Assume the set temperature of current segment is 100.0°C, and as SV reaches the set temperature of this segment, PV temperature needs to reach 100.0-5.0 (SV-WAIT)=95.0 then entering the next segment

13.4 Create Program

There are 18 sets PTN to choose and each PTN have 8 segments for setting

Program structure diagram





1. Choose program pattern number

Parameter	LED display	Description	Default	Level
PTN		Program pattern selection 1~18	1	Level 1

2. Setting segment n target SV

Parameter	LED display	Description	Default	Level
SV_n		Segment n SV (n=1~8)	0	Level 1

3. Setting segment n TM

Parameter	LED display	Description	Default	Level
TM_n		Segment 1 execute time setting, this parameter determines the link between segment and segment or pattern and pattern END(-1) : program end in this segment 0.00 : program step change in this segment 0.01~99.58 : program in this segment execute time 99.59 : program continue execute in this segment no end	0	Level 1

TM setting explain :

In segment_5(SEG_5) setting TM_5 =END → When the program finishes segment_4(SEG_4), program end and display “END” Message in segment_5(SEG_5).

In segment_5(SEG_5) setting TM_5=0.00 → When the program finishes segment_4(SEG_4), enter next segment, SV change suddenly.

In segment_5(SEG_5) setting TM_5 =10.00 → When the program finishes segment_4(SEG_4), enter next segment and executing TM_5 setting value.

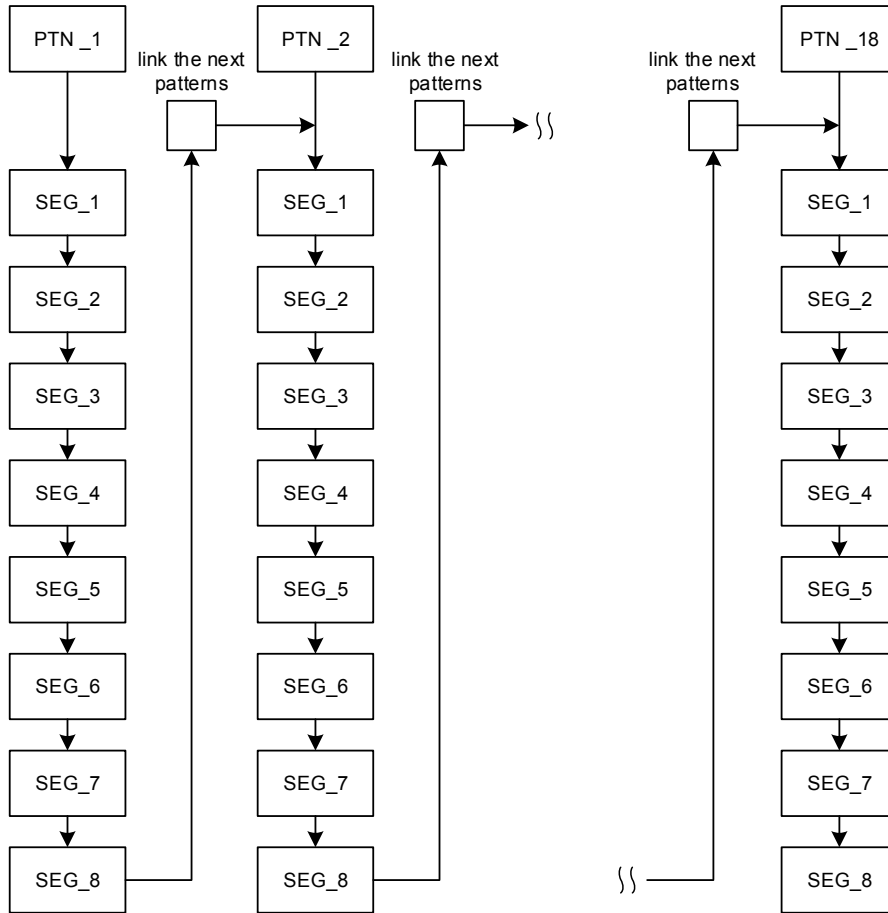
In segment_5(SEG_5) setting TM_5 =99.59 → When the program finishes segment_4(SEG_4) , enter next segment and executing continuously.

4. Setting segment n target OUTn

Parameter	LED display	Description	Default	Level
OUTn		Segment n output limit (n=1~8)	100.0	Level 1

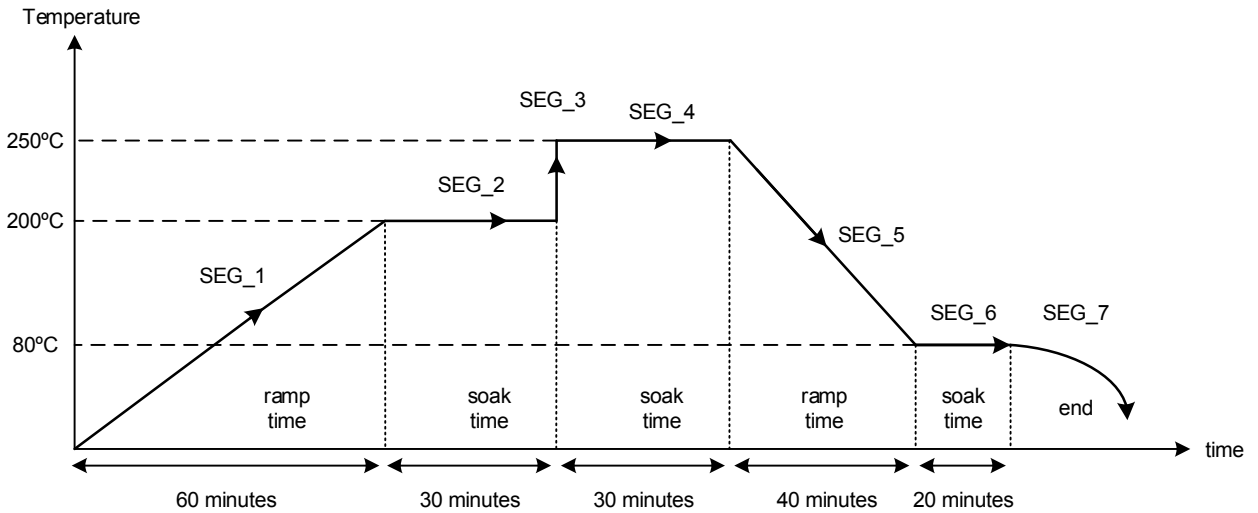
13.5 Program Execution Flow

The program can be up to 18 patterns. If you connect all the patterns, up to 144 segments.



13.6 Program Setting Example

In pattern_1 edit program ramp, soak, step then end



Initial setting

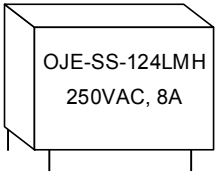
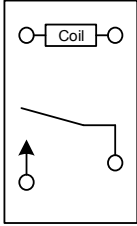
SET9.2 = 1	SET8.3 = 0	SET8.1 = 0	SET8.2 = 1	WAIT = 0.5
------------	------------	------------	------------	------------

Program edit

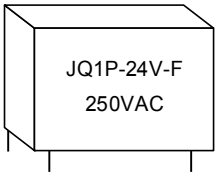
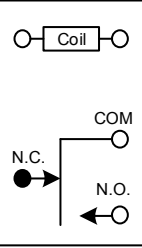
Segment 1	Segment 2	Segment 3	Segment 4	Segment 5	Segment 6	Segment 7
PTN = 1	PTN = 1	PTN = 1	PTN = 1	PTN = 1	PTN = 1	PTN = 1
SV 1 = 200	SV 2 = 200	SV 3 = 250	SV 4 = 250	SV 5 = 80	SV 6 = 80	SV 7 = 0
TM 1 = 60.00	TM 2 = 30.00	TM 3 = 0.00	TM 4 = 30.00	TM 5 = 40.00	TM 6 = 45.00	TM 7 = END
OUT1 = 100.0	OUT2 = 100.0	OUT3 = 100.0	OUT4 = 100.0	OUT5 = 100.0	OUT6 = 100.0	OUT7 = 0.0

14. Modification of Output Module

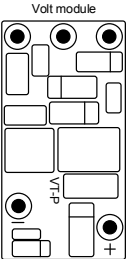
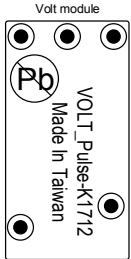
14.1 Relay Control (1a)

Side view	Bottom view	Software Setting
 <p>OJE-SS-124LMH 250VAC, 8A</p>		<p>Parameter set as "CYT1 =10"</p>

14.2 Relay Control (1c)

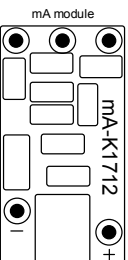
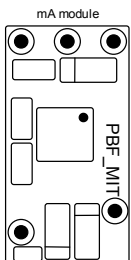
Side view	Bottom view	Software Setting
 <p>JQ1P-24V-F 250VAC</p>		<p>Parameter set as "CYT1 =10"</p>

14.3 SSR Control

Top view	Bottom view	Software Setting
 <p>Volt module</p>	 <p>Volt module</p> <p>VOLT_Pulse-K1712 Made in Taiwan</p>	<p>Parameter set as "CYT1 =1"</p>

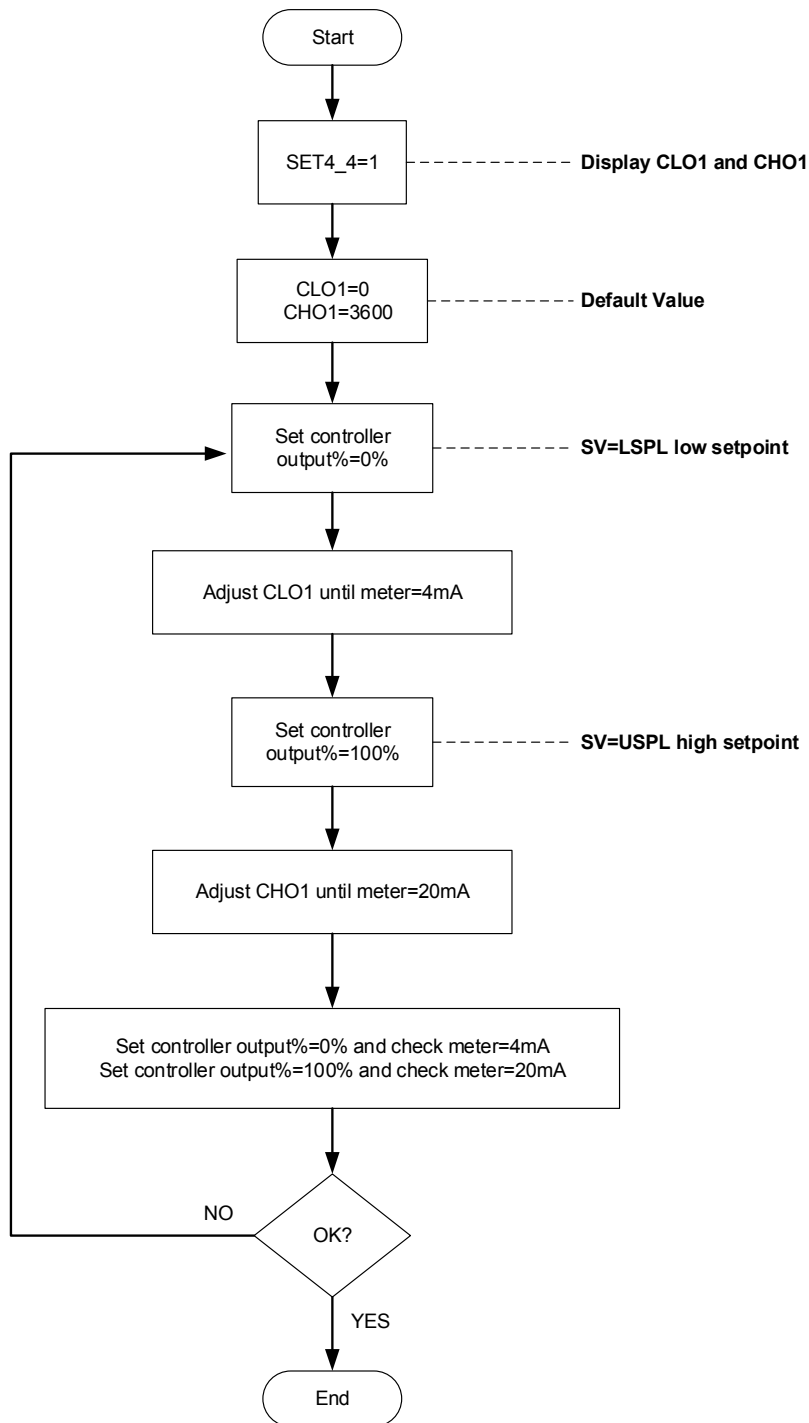
14.4 Linear Control

※ : When modifying mA current module, output signal needs to be calibrated, and for detailed calibration procedure, please refer to Chap. 14.5 Output Calibration Procedure Diagram.

Top view	Bottom view	Software Setting
 <p>mA module</p> <p>mA-K1712</p>	 <p>mA module</p> <p>PBF_MITT</p>	<p>Parameter set as "CYT1 =0"</p>

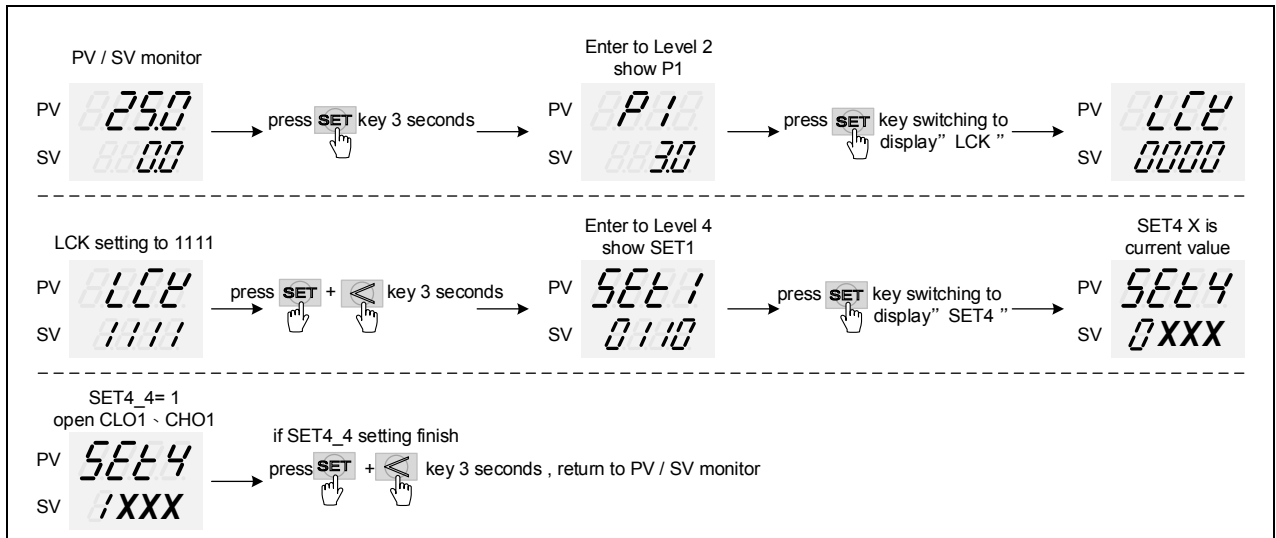
14.5 Output Calibration Procedure Diagram

Output1 Signal (4mA~20mA) calibration flowchart



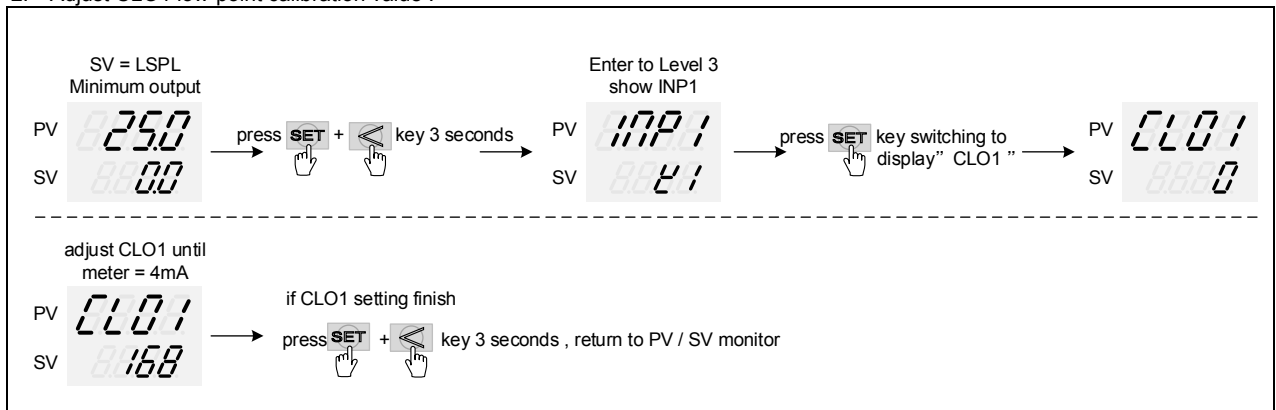
14.6 Output Calibration Steps

1. Display CLO1 & CHO1 :



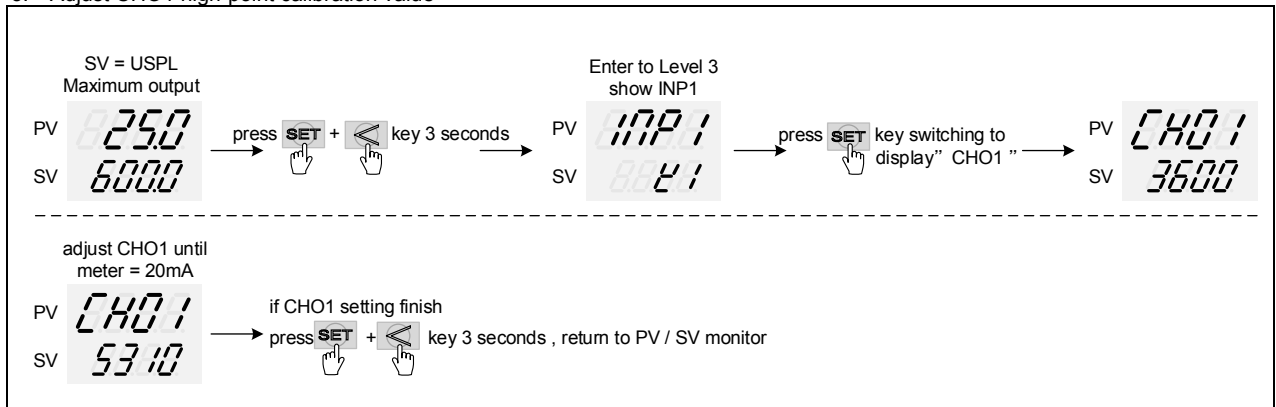
※ : X is default value which does not need to be modified

2. Adjust CLO1 low-point calibration value :



※ : CLO1 calibration value of each controller is different from the other

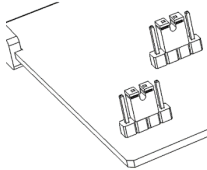
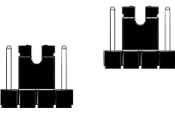
3. Adjust CHO1 high-point calibration value



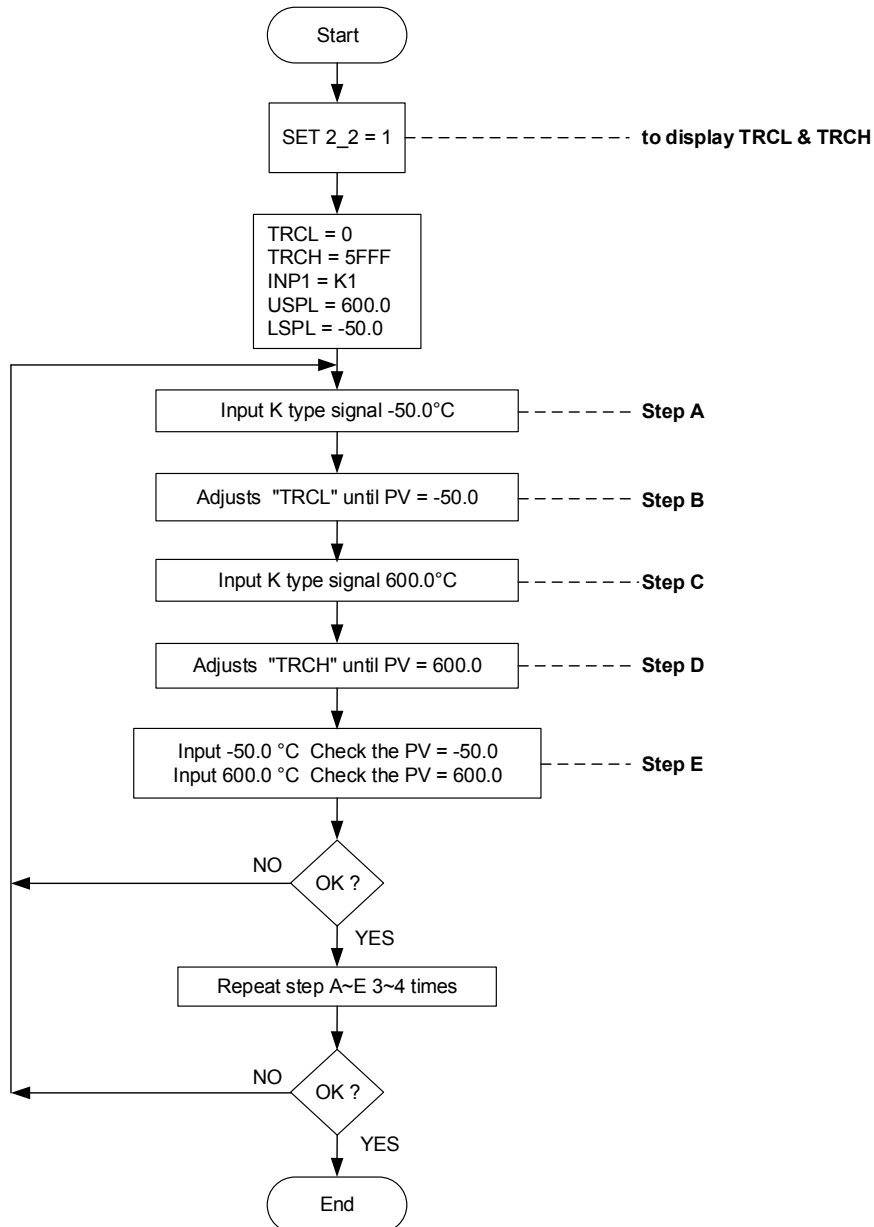
※ : CHO1 calibration value of each controller is different from the other

15. Modification of Input Signal

15.1 Input modify to thermocouple

Jumper Position		Software Setting
Plug 2 pcs of Jumper in the middle slot as shown		
		Parameter set as "INP1=K1~L"

Thermocouple calibration flowchart



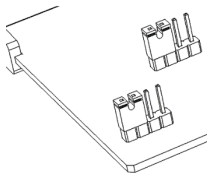
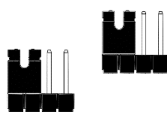
Set the range you want

Ex: Low = 0.0 , High = 200.0
Set LSPL = 0.0 , USPL = 200.0

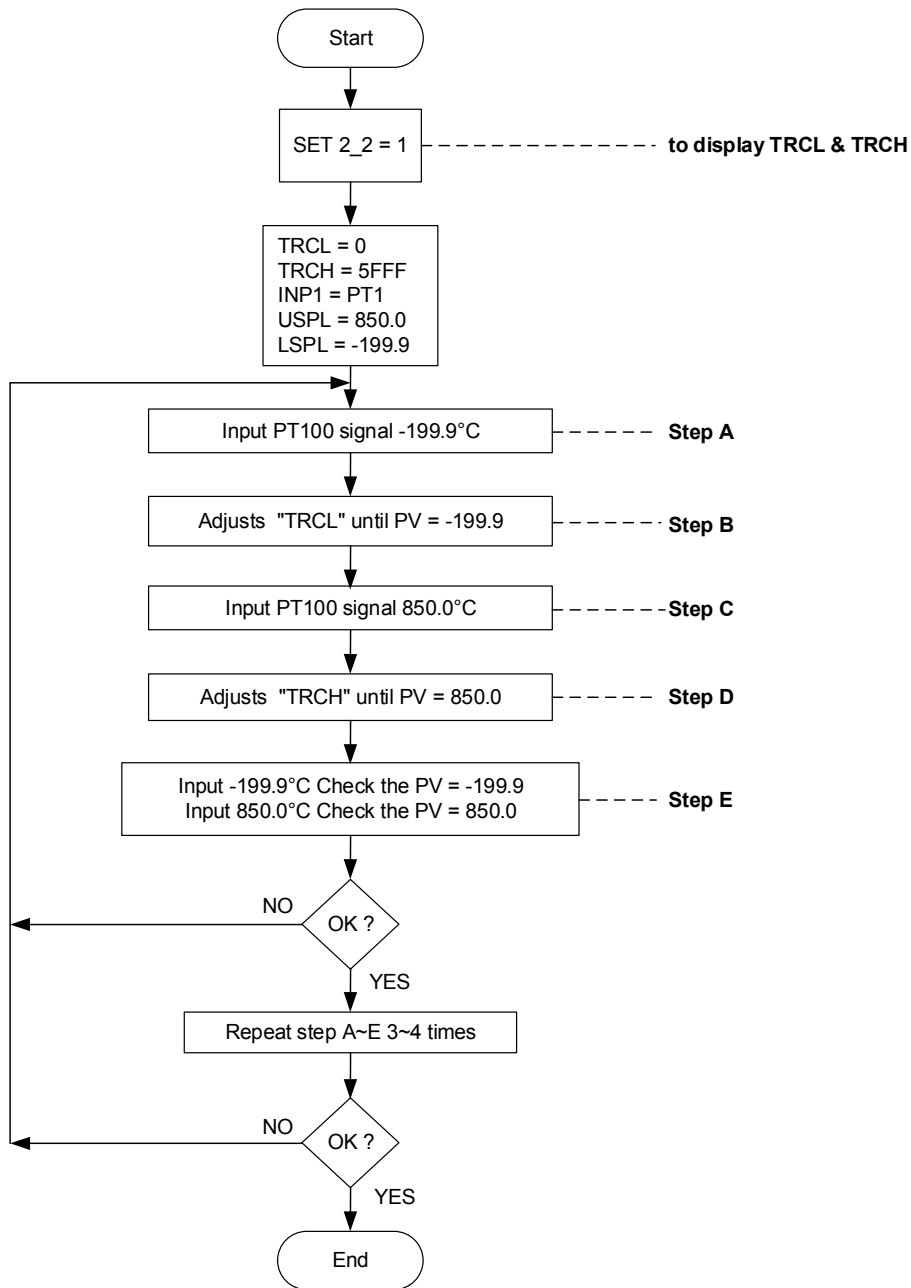
Notes

In theory, when input is thermocouple or PT100, it has been calibrated and tested at the factory, the user does not need to recalibrate, if the error is too large, please contact the factory.

15.2 Input modify to RTD

Jumper Position		Software Setting
Plug 2 pcs of Jumper in the left slot as shown		
		Parameter set as "INP1=PT1~PT3"

RTD calibration flowchart



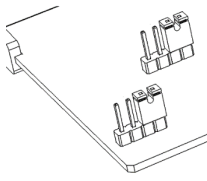
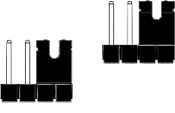
Set the range you want

Ex: Low = 0.0 , High = 200.0
Set LSPL = 0.0 , USPL = 200.0

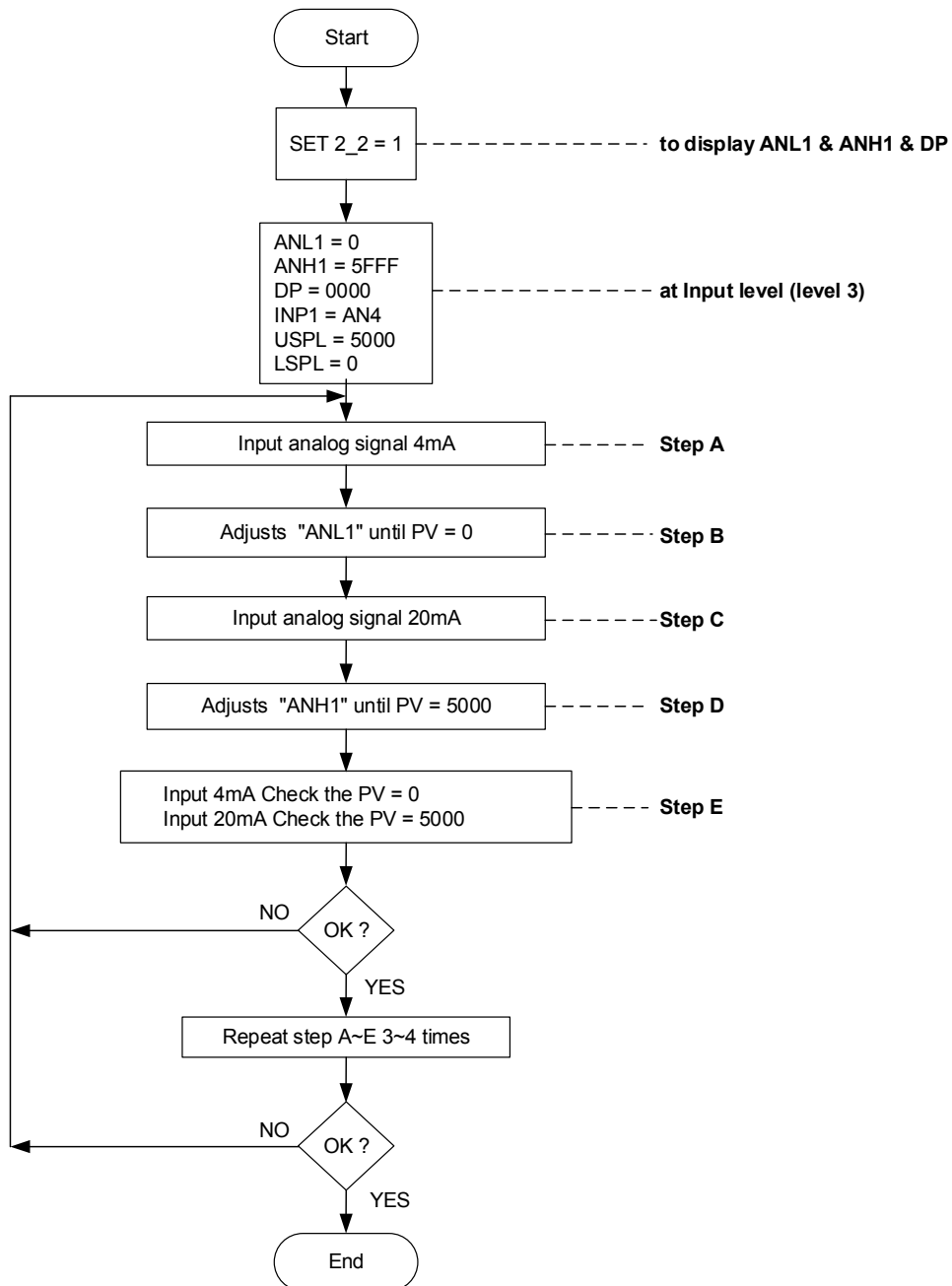
Notes

In theory, when input is thermocouple or PT100, it has been calibrated and tested at the factory, the user does not need to recalibrate, if the error is too large, please contact the factory.

15.3 Input modify to Linear (4~20mA)

Jumper Position		Software Setting
Plug 2 pcs of Jumper in the right slot as shown		
		Parameter set as "INP1=AN4"

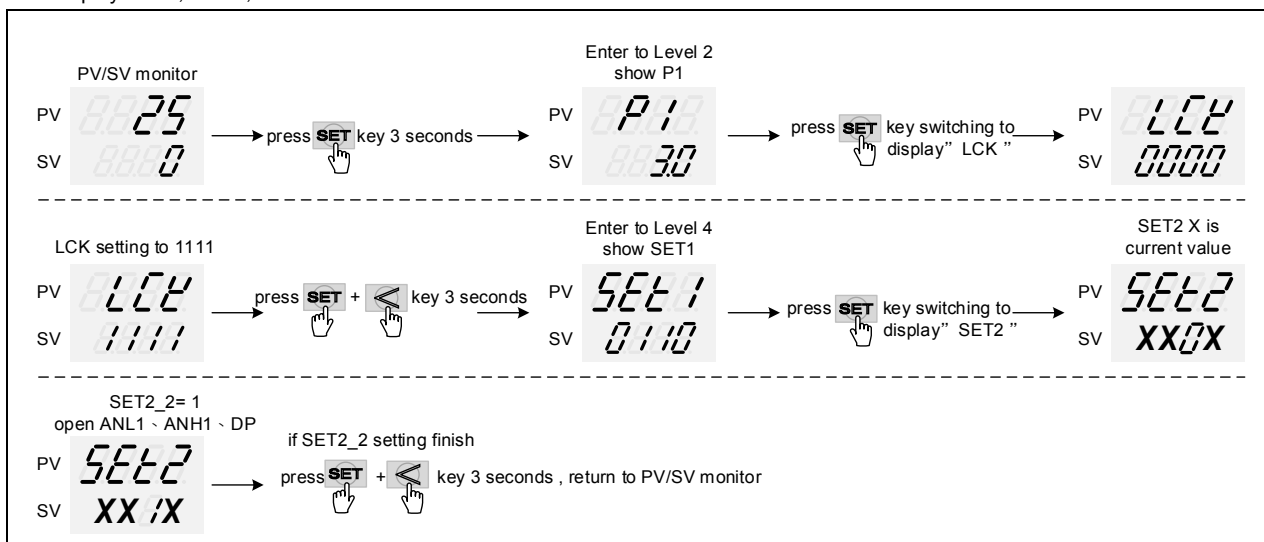
Linear analog signal (4~20mA) calibration flowchart



Set the range you want
 Ex: Low = -10.0, High = 10.0
 Set LSPL = -10.0, USPL = 10.0, DP : 000.0

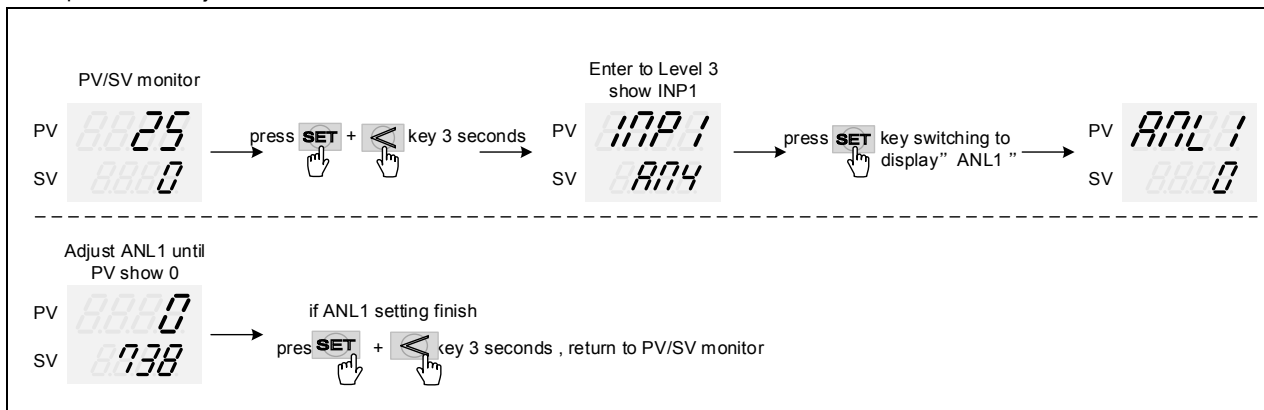
15.4 Steps For Linear Input Calibration

1. Display ANL1, ANH1, DP :



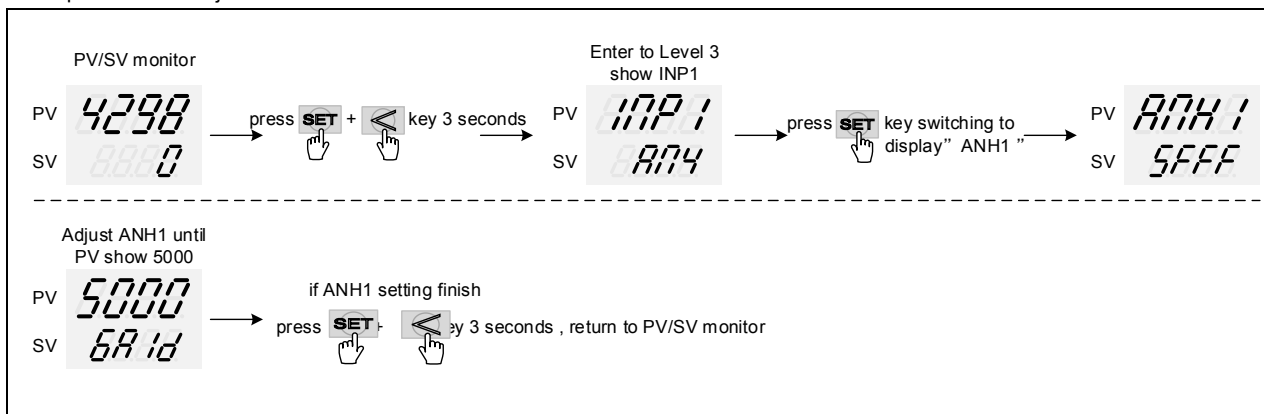
※ X is the default value which does not require modification

2. input 4mA and djust ANL1 calibration values :



※ ANL1 calibration value of each controller is different from the other

3. input 20mA and djust ANH1 calibration values :



※ ANH1 calibration value of each controller is different from the other

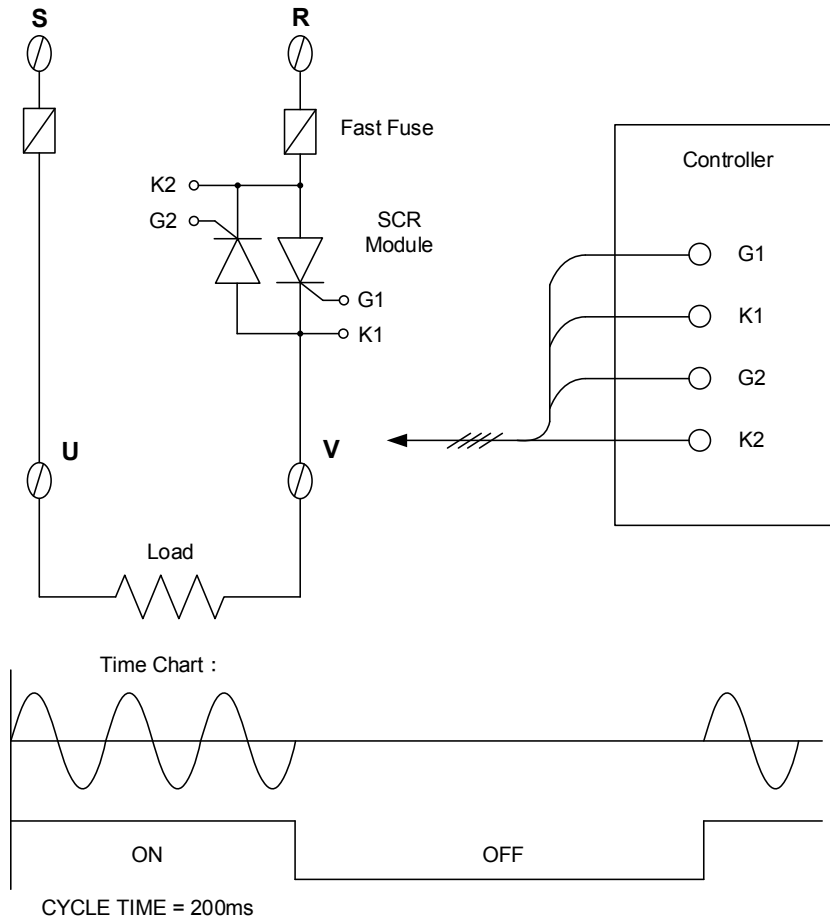
Notes

1. Assume that the controller input type ordered is a linear signal. If user want to change it to thermocouple or PT100, be sure to restore ANL1 & ANH1 to 0 and 5FFF.
2. In theory, when input is thermocouple or PT100, it has been calibrated and tested at the factory, the user does not need to recalibrate, if the error is too large, please contact the factory.

16. Zero / Phase Control

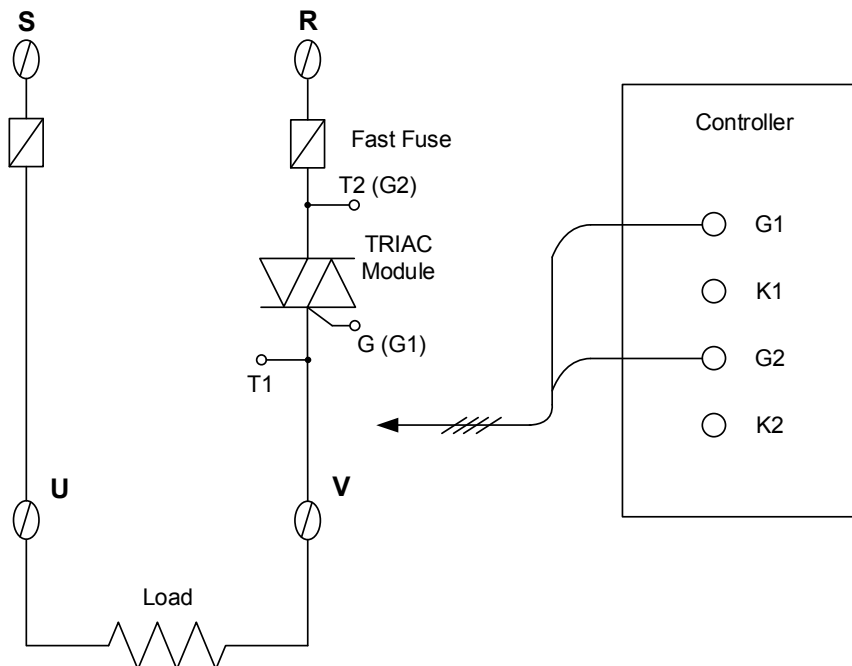
16.1 1 ϕ Zero Cross Control (SCR module)

OUT1 : 1 ϕ SCR zero cross control
 Parameter setting : OUTY= 0, CYT1= 1
 Wiring Setup :



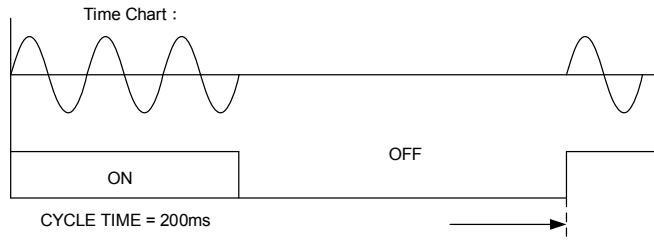
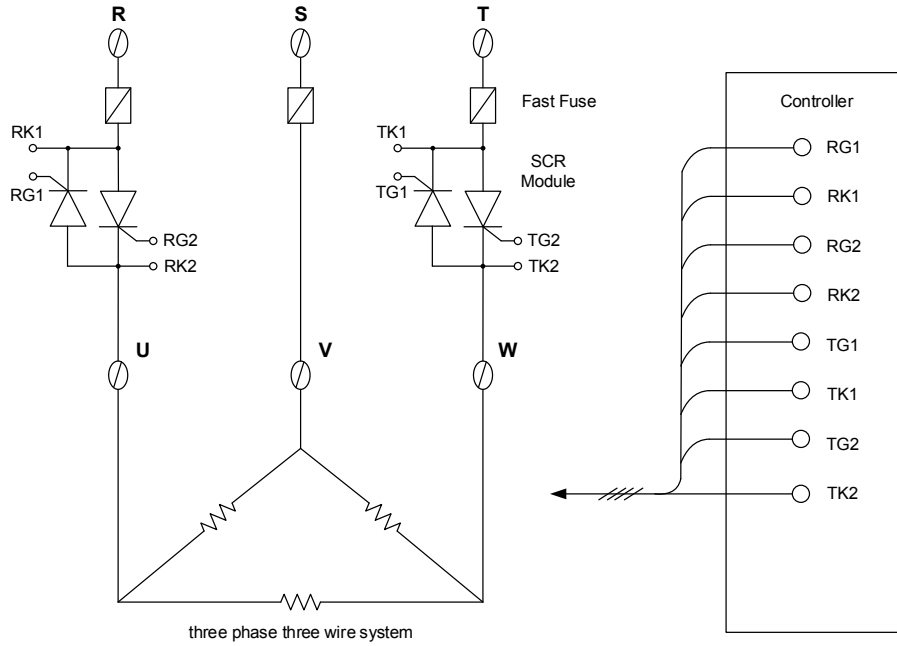
16.2 1 ϕ Zero Cross Control (TRIAC module)

OUT1 : 1 ϕ SCR zero cross control
 Parameter setting : OUTY= 0, CYT1= 1
 Wiring Setup:



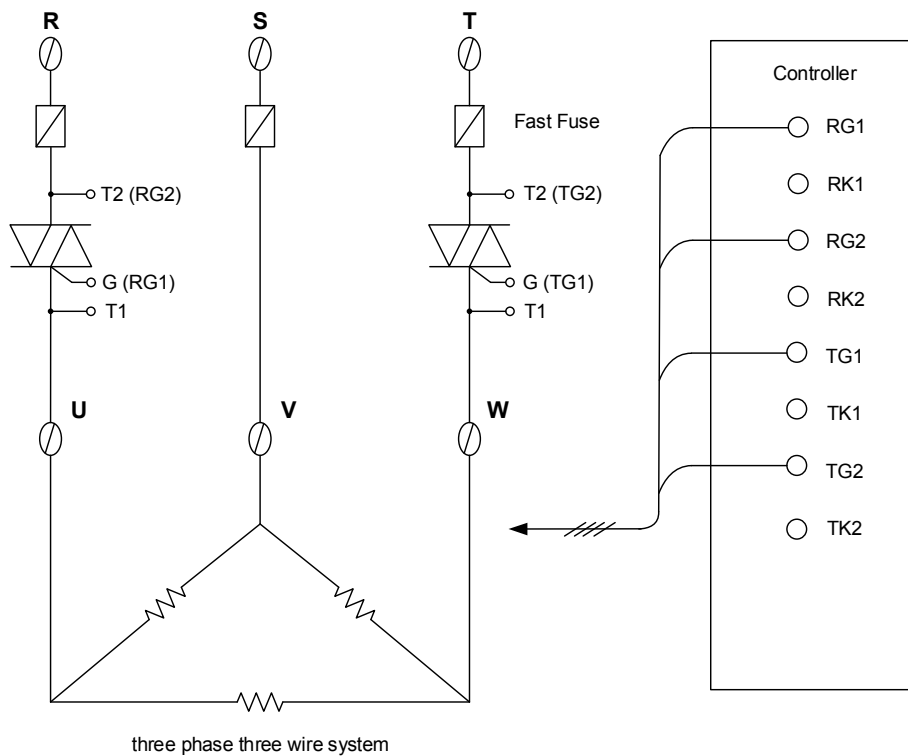
16.3 3 ϕ Zero Cross Control (SCR module)

OUT1 : 3 ϕ SCR zero cross control
 Parameter setting : OUTY= 0, CYT1= 1
 Wiring Setup :



16.4 3 ϕ Zero Cross Control (TRIAC module)

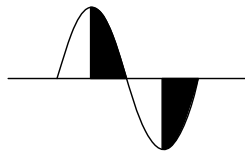
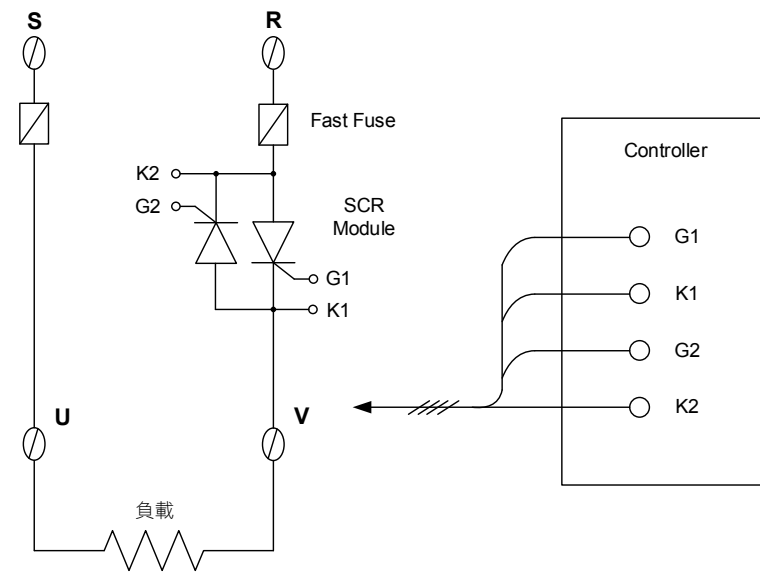
OUT1 : 3 ϕ SCR zero cross control
 Parameter setting : OUTY= 0, CYT1= 1
 Wiring Setup :



16.5 1 ϕ Phase Angle Control (SCR module)

OUT1 : 1 ϕ SCR phase angle control
 Parameter setting : OUTY= 4, CYT1= 0
 CLO1 = 120, CHO1 = 4200

Wiring Setup :

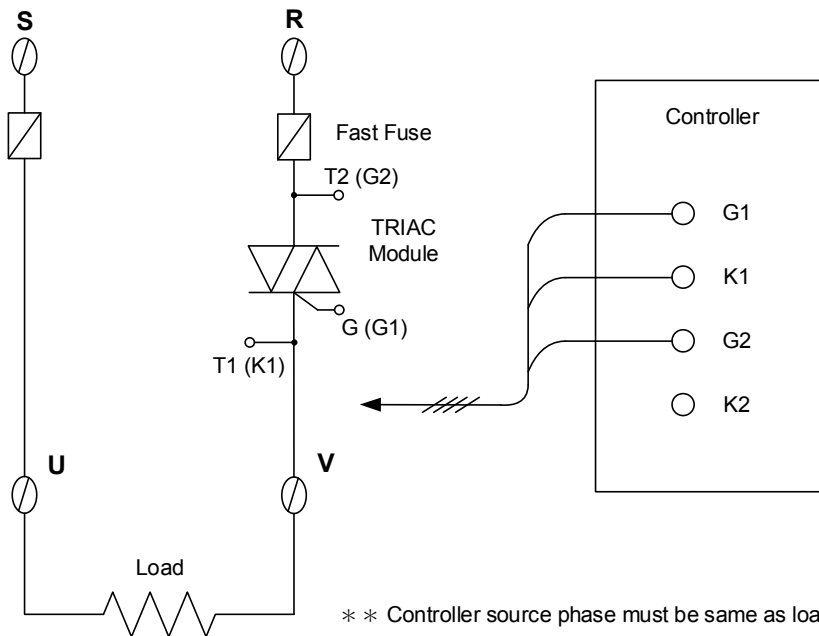


** Controller source phase must be same as load source phase

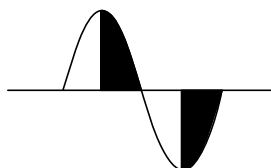
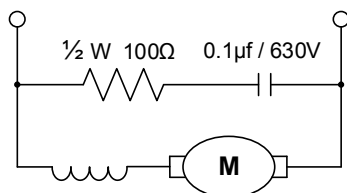
16.6 1 ϕ Phase Angle Control (TRIAC module)

OUT1 : 1 ϕ SCR phase angle control
 Parameter setting : OUTY= 4, CYT1= 0
 CLO1 = 120, CHO1 = 4200

Wiring Setup :



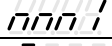
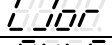
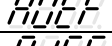

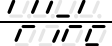
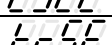
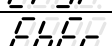
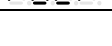


** Controller source phase must be same as load source phase



17. Troubleshooting

This chapter describes error displays and procedures to follow when problems occur.

Symbol	Text	description	Solution
	IN1E	Input1 Error	Check whether input loop is opened or wiring is incorrect.
	UUU1	PV is above USPL	Check whether the input value or input type is correct or not.
	NNN1	PV is below LSPL	Check whether the input value or input type is correct or not.
	CJOR	Ambient temperature over range(>50°C)	Decrease ambient temperature
	AUTF	Auto-tuning failure	Manually set the PID value
	ADCF	A/D convert failed	Send for repair.
	RAMF	EEPROM failed	Send for repair.
	CJCE	Cold junction diode failure	Send for repair.
	TRSF	Transmission hardware failure	Send for repair.
	FBER	Motor valve potentiometer feedback error	1. Check the potentiometer feedback wiring 2. Send for repair.

19. Program Design Table

OUD(control action)	<input type="checkbox"/> HEAT	_____
	<input type="checkbox"/> COOL	
WAIT		_____
Program repeat (SET8.1)	<input type="checkbox"/> 0 : not repeat	_____
	<input type="checkbox"/> 1 : repeat	
Power failure (SET8.2)	<input type="checkbox"/> 0 : disable	_____
	<input type="checkbox"/> 1 : enable	
Program start address (SET8.3)	<input type="checkbox"/> 0 : from zero	_____
	<input type="checkbox"/> 1 : from PV	
Program time format (SET9.2)	<input type="checkbox"/> 0 : hour.minute	_____
	<input type="checkbox"/> 1 : minute.second	

SEG	Parameter	PTN=1	PTN=2	PTN=3	PTN=4	PTN=5	PTN=6
1	SV_1						
	TM_1						
	OUT1						
2	SV_2						
	TM_2						
	OUT2						
3	SV_3						
	TM_3						
	OUT3						
4	SV_4						
	TM_4						
	OUT4						
5	SV_5						
	TM_5						
	OUT5						
6	SV_6						
	TM_6						
	OUT6						
7	SV_7						
	TM_7						
	OUT7						
8	SV_8						
	TM_8						
	OUT8						

SEG	Parameter	PTN=7	PTN=8	PTN=9	PTN=10	PTN=11	PTN=12
1	SV_1						
	TM_1						
	OUT1						
2	SV_2						
	TM_2						
	OUT2						
3	SV_3						
	TM_3						
	OUT3						
4	SV_4						
	TM_4						
	OUT4						
5	SV_5						
	TM_5						
	OUT5						
6	SV_6						
	TM_6						
	OUT6						
7	SV_7						
	TM_7						
	OUT7						
8	SV_8						
	TM_8						
	OUT8						

SEG	Parameter	PTN=13	PTN=14	PTN=15	PTN=16	PTN=17	PTN=18
1	SV_1						
	TM_1						
	OUT1						
2	SV_2						
	TM_2						
	OUT2						
3	SV_3						
	TM_3						
	OUT3						
4	SV_4						
	TM_4						
	OUT4						
5	SV_5						
	TM_5						
	OUT5						
6	SV_6						
	TM_6						
	OUT6						
7	SV_7						
	TM_7						
	OUT7						
8	SV_8						
	TM_8						
	OUT8						

20. Glossary of Characters Used In This Manual

LED Display										
Characters	0	1	2	3	4	5	6	7	8	9
LED Display										
Characters	A	B	C	D	E	F	G	H	I	J
LED Display										
Characters	K	L	M	N	O	P	Q	R	S	T
LED Display										
Characters	U	V	W	Y	Z	°C	°F			